

Official Journal of the European Union

L 140



English edition

Legislation

Volume 61

6 June 2018

Contents

II *Non-legislative acts*

INTERNATIONAL AGREEMENTS

- ★ **Council Decision (EU) 2018/826 of 28 May 2018 on the conclusion of the Agreement for scientific and technological cooperation between the European Union and the Republic of Lebanon setting out the terms and conditions for the participation of the Republic of Lebanon in the Partnership for Research and Innovation in the Mediterranean Area (PRIMA) 1**

REGULATIONS

- ★ **Council Implementing Regulation (EU) 2018/827 of 4 June 2018 implementing Regulation (EU) No 267/2012 concerning restrictive measures against Iran 3**
- ★ **Commission Delegated Regulation (EU) 2018/828 of 15 February 2018 amending Delegated Regulation (EU) 2015/68 as regards requirements relating to Anti-Lock Braking Systems, high pressure energy storage devices and hydraulic connections of the single-line type ⁽¹⁾ 5**
- ★ **Commission Delegated Regulation (EU) 2018/829 of 15 February 2018 amending and correcting Delegated Regulation (EU) 2015/208 supplementing Regulation (EU) No 167/2013 of the European Parliament and of the Council with regard to vehicle functional safety requirements for the approval of agricultural and forestry vehicles ⁽¹⁾ 8**
- ★ **Commission Delegated Regulation (EU) 2018/830 of 9 March 2018 amending Annex I to Regulation (EU) No 167/2013 of the European Parliament and of the Council and Commission Delegated Regulation (EU) No 1322/2014 as regards the adaptation of the vehicle construction and general requirements for the approval of agricultural and forestry vehicles 15**
- ★ **Commission Regulation (EU) 2018/831 of 5 June 2018 amending Regulation (EU) No 10/2011 on plastic materials and articles intended to come into contact with food ⁽¹⁾ 35**

⁽¹⁾ Text with EEA relevance.

EN

Acts whose titles are printed in light type are those relating to day-to-day management of agricultural matters, and are generally valid for a limited period.

The titles of all other acts are printed in bold type and preceded by an asterisk.

★ Commission Regulation (EU) 2018/832 of 5 June 2018 amending Annexes II, III and V to Regulation (EC) No 396/2005 of the European Parliament and of the Council as regards maximum residue levels for cyantraniliprole, cymoxanil, deltamethrin, difenoconazole, fenamidone, flubendiamide, fluopicolide, folpet, fosetyl, mandestrobin, mepiquat, metazachlor, propamocarb, propargite, pyrimethanil, sulfoxaflor and trifloxystrobin in or on certain products ⁽¹⁾	38
--	----

DECISIONS

★ Council Decision (CFSP) 2018/833 of 4 June 2018 amending Decision 2010/413/CFSP concerning restrictive measures against Iran	87
★ Commission Implementing Decision (EU) 2018/834 of 4 June 2018 amending Implementing Decision 2014/709/EU concerning animal health control measures relating to African swine fever in certain Member States (notified under document C(2018) 3318) ⁽¹⁾	89
★ Commission Implementing Decision (EU) 2018/835 of 4 June 2018 concerning certain protective measures relating to African swine fever in Hungary (notified under document C(2018) 3319) ⁽¹⁾	104

ACTS ADOPTED BY BODIES CREATED BY INTERNATIONAL AGREEMENTS

★ Decision No 1/2018 of the EU-Georgia Customs Sub-Committee of 20 March 2018 replacing Protocol I to the Association Agreement between the European Union and the European Atomic Energy Community and their Member States, of the one part, and Georgia of the other part, concerning the definition of the concept of 'originating products' and methods of administrative cooperation [2018/836]	107
--	-----

⁽¹⁾ Text with EEA relevance.

II

(Non-legislative acts)

INTERNATIONAL AGREEMENTS

COUNCIL DECISION (EU) 2018/826

of 28 May 2018

on the conclusion of the Agreement for scientific and technological cooperation between the European Union and the Republic of Lebanon setting out the terms and conditions for the participation of the Republic of Lebanon in the Partnership for Research and Innovation in the Mediterranean Area (PRIMA)

THE COUNCIL OF THE EUROPEAN UNION,

Having regard to the Treaty on the Functioning of the European Union, and in particular Article 186, in conjunction with point (a)(v) of the second subparagraph of Article 218(6) thereof,

Having regard to the proposal from the European Commission,

Having regard to the consent of the European Parliament ⁽¹⁾,

Whereas:

- (1) Decision (EU) 2017/1324 of the European Parliament and of the Council ⁽²⁾ provides for the participation of the Union in the Partnership for Research and Innovation in the Mediterranean Area ('PRIMA') jointly undertaken by several Member States.
- (2) The Republic of Lebanon ('Lebanon') expressed its wish to join PRIMA as a Participating State and on an equal footing with the Member States and third countries associated to Horizon 2020 — the Framework Programme for Research and Innovation (2014-2020) participating in PRIMA.
- (3) In accordance with Article 1(2) of Decision (EU) 2017/1324 Lebanon is to become a Participating State in PRIMA subject to the conclusion of an international agreement for scientific and technological cooperation with the Union setting out the terms and conditions for the participation of Lebanon in PRIMA.
- (4) In accordance with Council Decision (EU) 2018/467 ⁽³⁾ the Agreement for scientific and technological cooperation between the European Union and the Republic of Lebanon setting out the terms and conditions for the participation of the Republic of Lebanon in the Partnership for Research and Innovation in the Mediterranean Area (PRIMA) ('the Agreement'), was signed on 27 February 2018, subject to its conclusion at a later date.
- (5) The Agreement should be approved,

⁽¹⁾ Consent of 17 April 2018 (not yet published in the Official Journal).

⁽²⁾ Decision (EU) 2017/1324 of the European Parliament and of the Council of 4 July 2017 on the participation of the Union in the Partnership for Research and Innovation in the Mediterranean Area (PRIMA) jointly undertaken by several Member States (OJ L 185, 18.7.2017, p. 1).

⁽³⁾ Council Decision (EU) 2018/467 of 25 September 2017 on the signing, on behalf of the Union, and provisional application of the Agreement for scientific and technological cooperation between the European Union and the Republic of Lebanon setting out the terms and conditions for the participation of the Republic of Lebanon in the Partnership for Research and Innovation in the Mediterranean Area (PRIMA) (OJ L 79, 22.3.2018, p. 1).

HAS ADOPTED THIS DECISION:

Article 1

The Agreement for scientific and technological cooperation between the European Union and the Republic of Lebanon setting out the terms and conditions for the participation of the Republic of Lebanon in the Partnership for Research and Innovation in the Mediterranean Area (PRIMA) is hereby approved on behalf of the Union ⁽¹⁾.

Article 2

The President of the Council shall, on behalf of the Union, give the notification provided for in Article 5(2) of the Agreement ⁽²⁾.

Article 3

This Decision shall enter into force on the date of its adoption.

Done at Brussels, 28 May 2018.

For the Council
The President
E. KARANIKOLOV

⁽¹⁾ The Agreement has been published in OJ L 79, 22.3.2018, p. 3, together with the decision on signature.

⁽²⁾ The date of entry into force of the Agreement will be published in the *Official Journal of the European Union* by the General Secretariat of the Council.

REGULATIONS

COUNCIL IMPLEMENTING REGULATION (EU) 2018/827

of 4 June 2018

implementing Regulation (EU) No 267/2012 concerning restrictive measures against Iran

THE COUNCIL OF THE EUROPEAN UNION,

Having regard to the Treaty on the Functioning of the European Union,

Having regard to Council Regulation (EU) No 267/2012 of 23 March 2012 concerning restrictive measures against Iran and repealing Regulation (EU) No 961/2010 ⁽¹⁾, and in particular Article 46(2) thereof,

Having regard to the proposal of the High Representative of the Union for Foreign Affairs and Security Policy,

Whereas:

- (1) On 23 March 2012 the Council adopted Regulation (EU) No 267/2012.
- (2) In accordance with Article 46(7) of Regulation (EU) No 267/2012, the Council has reviewed the list of designated persons and entities set out in Annexes IX and XIV to that Regulation.
- (3) The Council has concluded that the entries concerning certain persons and entities included in Annex IX to Regulation (EU) No 267/2012 should be updated.
- (4) Regulation (EU) No 267/2012 should therefore be amended accordingly,

HAS ADOPTED THIS REGULATION:

Article 1

Annex IX to Regulation (EU) No 267/2012 is amended as set out in the Annex to this Regulation.

Article 2

This Regulation shall enter into force on the day following that of its publication in the *Official Journal of the European Union*.

This Regulation shall be binding in its entirety and directly applicable in all Member States.

Done at Luxembourg, 4 June 2018.

For the Council
The President
T. TSACHEVA

⁽¹⁾ OJ L 88, 24.3.2012, p. 1.

ANNEX

Annex IX to Regulation (EU) No 267/2012 is amended as follows:

- (1) under the heading 'I. Persons and entities involved in nuclear or ballistic missile activities and persons and entities providing support to the Government of Iran', the following entries replace the corresponding entries in the list set out under the subheading 'B. Entities':

	Name	Identifying information	Reasons	Date of listing
'42.(g)	Shetab Gaman (a.k.a. Taamin Gostaran Pishgaman Azar)	Address: Norouzi Alley, No 2, Larestan Street, Motahari Avenue, Tehran	Acting on behalf of Yasa Part.	26.7.2010
49.	Noavaran Pooyamoj (a.k.a. Noavaran Tejarat Paya, Bastan Tejarat Mabna, Behdis Tejarat (or Bazarganis Behdis Tejarat Alborz Company or Behdis Tejarat General Trading Company), Fanavaran Mojpooya, Faramoj Company (or Tosee Danesh Fanavari Faramoj), Green Emirate Paya, Mehbang Sana, Mohandesi Hedayat Control Paya, Pooya Wave Company, Towsee Fanavari Boshra)		Involved in procurement of materials that are controlled and have direct application in the manufacture of centrifuges for Iran's uranium enrichment programme.	23.5.2011
55.	Ashtian Tablo	Ashtian Tablo - No 67, Ghods mirheydari St, Yoosefabad, Tehran	Involved in the production and supply of specialist electrical equipment and materials that have a direct application in the Iranian nuclear sector.	23.5.2011'

- (2) under the heading 'II. Iranian Revolutionary Guard Corps (IRGC)', the following entries replace the corresponding entries in the list set out under the subheading 'A. Persons':

	Name	Identifying information	Reasons	Date of listing
'1.	IRGC Brigadier-General Javad DARVISH-VAND		Former MODAFL Deputy for Inspection, responsible for all MODAFL facilities and installations, who remains associated with, including through the provision of services to, MODAFL and the IRGC.	23.6.2008
8.	IRGC Brigadier-General Mohammad Reza NAQDI	Born in 1953, Nadjaf (Iraq)	Deputy Commander of IRGC for Cultural and Social Affairs. Former Commander of Basij Resistance Force.	26.7.2010
10.	Rostam QASEMI (a.k.a. Rostam GHASEMI)	Born in 1961	Former Commander of Khatam al-Anbiya.	26.7.2010
19.	IRGC Brigadier-General Amir Ali Haji ZADEH (a.k.a. Amir Ali HAJIZADEH)		IRGC Aerospace Force Commander.	23.1.2012'

COMMISSION DELEGATED REGULATION (EU) 2018/828**of 15 February 2018****amending Delegated Regulation (EU) 2015/68 as regards requirements relating to Anti-Lock Braking Systems, high pressure energy storage devices and hydraulic connections of the single-line type****(Text with EEA relevance)**

THE EUROPEAN COMMISSION,

Having regard to the Treaty on the Functioning of the European Union,

Having regard to Regulation (EU) No 167/2013 of the European Parliament and of the Council of 5 February 2013 on the approval and market surveillance of agricultural and forestry vehicles ⁽¹⁾, and in particular Article 17(5) thereof,

Whereas:

- (1) Recital (6) of Commission Delegated Regulation (EU) 2015/68 ⁽²⁾ anticipates that the Commission assesses the requirement to fit anti-lock braking systems (ABS) on tractors with maximum design speed between 40 km/h and 60 km/h as of 1 January 2020. Following an assessment of that requirement, the Commission concluded that removing the ABS requirement from the Delegated Regulation for those vehicles avoids disproportionate financial costs for the industry and the users, which would ultimately delay the effective use of state-of-the-art braking technology on the market. Therefore, the requirement to fit ABS on those vehicles should be deleted.
- (2) The conditions of operation of high pressure energy storage devices should allow for the state-of-the-art pressure range and provide for the corresponding test. The pressure limit values should therefore be adapted accordingly.
- (3) In order to allow for a smooth transition to the prohibition of hydraulic connections of the single-line type, for the Member States and the industry, when applying the braking requirements of Delegated Regulation (EU) 2015/68 to new tractors connected with trailers already in service, taking into consideration the renewal rate of the agricultural and forestry towed vehicles fleet, the application of the transitional requirements on the single-line type hydraulic connections of braking devices and trailer braking couplings should be extended until 31 December 2024.
- (4) Delegated Regulation (EU) 2015/68 should therefore be amended accordingly.
- (5) Considering that this Regulation contains a number of important amendments to Delegated Regulation (EU) 2015/68, necessary for its smooth application, it should enter into force as a matter of urgency,

HAS ADOPTED THIS REGULATION:

*Article 1***Amendments to Delegated Regulation (EU) 2015/68**

Delegated Regulation (EU) 2015/68 is amended as follows:

- (1) Article 16 is replaced by the following:

*'Article 16***Requirements applying to hydraulic connections of the single-line type and to tractors fitted with them**

1. The performance requirements applying to hydraulic connections of the single-line type of braking devices and trailer braking couplings and to tractors fitted with hydraulic connections of the single-line type are laid down in Annex XIII. Those requirements shall apply until 31 December 2024.
2. Manufacturers shall not fit hydraulic connections of the single-line type to new tractors after 31 December 2024.'

⁽¹⁾ OJ L 60, 2.3.2013, p. 1.

⁽²⁾ Commission Delegated Regulation (EU) 2015/68 of 15 October 2014 supplementing Regulation (EU) No 167/2013 of the European Parliament and of the Council with regard to vehicle braking requirements for the approval of agricultural and forestry vehicles (OJ L 17, 23.1.2015, p. 1).

(2) Article 17 is amended as follows:

- (a) the second paragraph is deleted;
- (b) the fourth paragraph is replaced by the following:

‘With effect from 1 January 2025, national authorities shall prohibit the making available on the market, registration, or entry into service of new tractors fitted with hydraulic connections of the single-line type.’;

(3) Annexes I, IV and XIII to Delegated Regulation (EU) 2015/68 are amended in accordance with the Annex to this Regulation.

Article 2

Entry into force

This Regulation shall enter into force on the third day following that of its publication in the *Official Journal of the European Union*.

This Regulation shall be binding in its entirety and directly applicable in all Member States.

Done at Brussels, 15 February 2018.

For the Commission
The President
Jean-Claude JUNCKER

ANNEX

Annexes I, IV and XIII to Delegated Regulation (EU) 2015/68 are amended as follows:

(1) Annex I is amended as follows:

(a) point 2.2.1.21.2 is deleted;

(b) point 2.2.1.23 is replaced by the following:

‘2.2.1.23. Tractors other than those referred to in point 2.2.1.21.1 which are fitted with anti-lock braking systems shall comply with the requirements of Annex XI.’;

(c) in point 2.2.2.15.1.1, the words ‘This pressure shall not exceed 11 500 kPa’ are deleted;

(d) the following points 2.2.2.15.1.1.1 and 2.2.2.15.1.1.2 are inserted:

‘2.2.2.15.1.1.1. This low pressure in the hydraulic energy storage devices shall not exceed 11 500 kPa for systems using energy storage devices with a maximum operational pressure of 15 000 kPa.

2.2.2.15.1.1.2. This low pressure in the hydraulic energy storage devices may exceed 11 500 kPa for systems using energy storage devices which are charged to a maximum operational pressure exceeding 15 000 kPa to comply with the prescribed braking performance.’

(2) In Annex IV, in part C (Hydraulic braking systems with stored energy), the following point 1.3.2.1.1 is inserted:

‘1.3.2.1.1. In case of systems using energy storage devices that are charged to a maximum operational pressure exceeding 15 000 kPa to comply with the requirements of the prescribed braking performance, the pressure in the energy storage devices at the beginning of the test shall be the maximum pressure provided for by the manufacturer.’

(3) Annex XIII is amended as follows:

(a) point 1.1 is replaced by the following

‘1.1. A hydraulic connection of the single-line type may be installed on the tractor which is equipped with either of the following:

(a) any of the connection types referred to in point 2.1.4 of Annex I;

(b) any of the connection types referred to in points 2.1.5.1.1, 2.1.5.1.2 and 2.1.5.1.3 of Annex I. In this case, in order to avoid a duplication of a connector, the male connector of the hydraulic connection of the single-line type may be the male connector described in point 2.1.5.1.1 of Annex I, provided that the pressures that are generated on that connector comply with points 1.1.1, 1.1.2 and 1.1.3.’;

(b) The following points 1.1.1, 1.1.2 and 1.1.3 are inserted:

‘1.1.1. In the case that a control line and a supplementary line of a towed vehicle are connected, the pressure pm generated shall be in accordance with Diagram 2 of Appendix 1 to Annex II.

1.1.2. In the case that a towed vehicle with a hydraulic connection of the single-line type is connected, the pressure pm generated shall be in accordance with point 2 or 3 of this Annex.

1.1.3. Detection of connected lines in points 1.1.1 and 1.1.2 shall be done by automatic means.’

COMMISSION DELEGATED REGULATION (EU) 2018/829**of 15 February 2018****amending and correcting Delegated Regulation (EU) 2015/208 supplementing Regulation (EU) No 167/2013 of the European Parliament and of the Council with regard to vehicle functional safety requirements for the approval of agricultural and forestry vehicles****(Text with EEA relevance)**

THE EUROPEAN COMMISSION,

Having regard to the Treaty on the Functioning of the European Union,

Having regard to Regulation (EU) No 167/2013 of the European Parliament and of the Council of 5 February 2013 on the approval and market surveillance of agricultural and forestry vehicles ⁽¹⁾, and in particular Articles 17(5) and 49(3) thereof,

Whereas:

- (1) UNECE regulations which apply on a compulsory basis set out in Annex I to Commission Delegated Regulation (EU) 2015/208 ⁽²⁾ are updated frequently. In that regard, the list should be complemented with an explanatory note clarifying that manufacturers are allowed to use subsequent supplements of the applicable series of amendments of those UNECE regulations, even if they are not published in the *Official Journal of the European Union*.
- (2) Certain editorial errors in the list of UNECE regulations set out in Annex I to Delegated Regulation (EU) 2015/208 need to be corrected.
- (3) Editorial improvements to Annex IV to Delegated Regulation (EU) 2015/208 and precise references to vehicle categories to which that Annex applies are necessary for the smooth implementation by national authorities.
- (4) The requirements on steering laid down in Annex V to Delegated Regulation (EU) 2015/208 need to be adapted to technical progress in line with the standard ISO 10998:2008 and with the requirements laid down in UNECE Regulation No 79, which is included in the list set out in Annex I to Delegated Regulation (EU) 2015/208.
- (5) Modern agricultural and forestry vehicles are exposed to electromagnetic signals the frequency of which is up to 2 000 MHz. Therefore, Annex XV to Delegated Regulation (EU) 2015/208 should be amended to include the appropriate frequency ranges for testing and to be aligned with UNECE Regulation No 10, which includes such testing requirements and applies as an alternative to the requirements laid down in Annex XV.
- (6) Modern farming techniques require the use of wider tyres to avoid soil compaction as well as the use of bigger tools. Therefore, the requirements on dimensions and trailer masses laid down in Annex XXI to Delegated Regulation (EU) 2015/208 need to be adapted as regards the vehicle width in line with what is already allowed in a number of Member States.
- (7) The adaptation of the dimensions requirements entails the need to adapt some of the requirements laid down in the Annexes to Delegated Regulation (EU) 2015/208, namely Annex VII on the field of vision and windscreen wipers, Annex XII on lighting installation, Annex XIV on vehicle exterior and accessories, Annex XXVI on rear protective structures, Annex XXVII on lateral protection and Annex XXVIII on load platforms, as their provisions directly depend on the permissible vehicle width.
- (8) It is estimated that fatal accidents may be considerably reduced by increasing the conspicuity of agricultural and forestry vehicles by adapting the requirements for appropriate enhanced lighting installations in Annex XII to Delegated Regulation (EU) 2015/208.
- (9) In order to allow for the correct application of the testing requirements laid down in Annex XXXIV to Delegated Regulation (EU) 2015/208, it is necessary to update a certain mathematical formula related to such testing.

⁽¹⁾ OJ L 60, 2.3.2013, p. 1.

⁽²⁾ Commission Delegated Regulation (EU) 2015/208 of 8 December 2014 supplementing Regulation (EU) No 167/2013 of the European Parliament and of the Council with regard to vehicle functional safety requirements for the approval of agricultural and forestry vehicles (OJ L 42, 17.2.2015, p. 1).

- (10) In order to ensure the safeguarding of road safety, with respect to trailers and interchangeable towed equipment to which Regulation (EU) No 167/2013 applies, the requirements for mechanical couplings in Annex XXXIV to Delegated Regulation (EU) 2015/208 should be adapted to allow for the use of 3-point mechanical couplings and improved specifications for mechanical couplings on towed vehicles towing other vehicles should be introduced.
- (11) Delegated Regulation (EU) 2015/208 should therefore be amended and corrected accordingly.
- (12) Considering that this Regulation contains a number of corrections to Delegated Regulation (EU) 2015/208, it should enter into force as a matter of urgency,

HAS ADOPTED THIS REGULATION:

Article 1

Amendments to Delegated Regulation (EU) 2015/208

Delegated Regulation (EU) 2015/208 is amended as follows:

- (1) in Chapter IV, the following Article 40a is inserted:

'Article 40a

Transitional provisions

1. Notwithstanding the application of the provisions of this Regulation, as amended by Commission Delegated Regulation (EU) 2018/829 (*), national authorities shall, until 31 December 2018, also continue to grant type-approvals to agricultural and forestry vehicle types, or types of systems, components or separate technical units in accordance with this Regulation, in its version applicable on 8 June 2018.

2. Notwithstanding the application of the provisions of this Regulation, as amended by Delegated Regulation (EU) 2018/829, the Member States shall, until 30 June 2019, also permit the placing on the market, registration or entry into service of agricultural and forestry vehicles, systems, components or separate technical units based on a type approved in accordance with this Regulation, in its version applicable on 8 June 2018.

(*) Commission Delegated Regulation (EU) 2018/829 of 15 February 2018 amending and correcting Delegated Regulation (EU) 2015/208 supplementing Regulation (EU) No 167/2013 of the European Parliament and of the Council with regard to vehicle functional safety requirements for the approval of agricultural and forestry vehicles (OJ L 140, 6.6.2018, p. 8).';

- (2) Annexes I, V, VII, XII, XIV, XV, XXI, XXVI, XXVII, XXVIII and XXXIV are amended in accordance with Annex I to this Regulation.

Article 2

Corrections to Delegated Regulation (EU) 2015/208

Annexes I, IV, XII and XXXIV to Delegated Regulation (EU) 2015/208 are corrected in accordance with Annex II to this Regulation.

Article 3

Entry into force

This Regulation shall enter into force on the third day following that of its publication in the *Official Journal of the European Union*.

This Regulation shall be binding in its entirety and directly applicable in all Member States.

Done at Brussels, 15 February 2018.

For the Commission

The President

Jean-Claude JUNCKER

ANNEX I

Amendments to Delegated Regulation (EU) 2015/208

Annexes I, V, VII, XII, XIV, XV, XXI, XXVI, XXVII, XXVIII and XXXIV to Delegated Regulation (EU) 2015/208 are amended as follows:

- (1) the following note is added after the table in Annex I:

‘The transitional provisions of the UNECE regulations listed in this table apply, except where specific alternative dates are provided for in this Regulation. Compliance with prescriptions in accordance with subsequent amendments to those listed in this table shall also be accepted.’;

- (2) in Annex V, the first sentence of point 3.1.2 is replaced by the following:

‘The steering effort required to achieve a turning circle of 12 m radius, starting from the straight ahead position, shall not exceed 25 daN in the case of intact steering equipment.’;

- (3) in Annex VII, the following sentence is added to point 2:

‘The tests and acceptance criteria set out in ISO 5721-2:2014 shall also apply to tractors exceeding a width of 2,55 m.’;

- (4) Annex XII is amended as follows:

- (a) point 6.15.1 is replaced by the following:

‘6.15.1. Presence: Mandatory on all vehicles the length of which exceeds 4,6 m. Optional on all other vehicles.’;

- (b) point 6.15.6 is replaced by the following:

‘6.15.6. Orientation: Towards the side. Where the orientation does not change, the reflector may rotate.’;

- (c) point 6.18.1 is replaced by the following:

‘6.18.1. Presence: Mandatory on tractors the length of which exceeds 4,6 m. Mandatory on trailers of categories R3 and R4 the length of which exceeds 4,6 m. Optional on all other vehicles.’;

- (d) in point 6.18.4.3, the last paragraph is replaced by the following:

‘However, for vehicles the length of which does not exceed 6 m and for chassis-cabs, it is sufficient to have one side-marker lamp fitted within the first third or within the last third of the vehicle length. For tractors, one side-marker lamp fitted within the middle third of the vehicle length is also sufficient.’;

- (e) in point 6.18.4.3, the following paragraph is added:

‘The side marker lamp may be part of the light emitting surface in common with the side retro-reflector.’;

- (f) point 6.26.1 is replaced by the following:

‘6.26.1. Presence:

Mandatory on vehicles with a total width of more than 2,55 m.

Optional on vehicles with a total width not exceeding 2,55 m.’;

- (5) in Annex XIV, point 2.1 is replaced by the following:

‘2.1. This Annex shall apply to those parts of the external surface which, with the vehicle in the laden condition, equipped with tyres of the highest diameter or set of tracks of the highest vertical dimension, which are not intended for soil protection, for which it is approved, with all doors, windows and access lids etc., in the closed position, are.’;

- (6) Annex XV is amended as follows:

- (a) in Part 2, in point 3.4.2.1, the number ‘1 000’ is replaced by the number ‘2 000’ in both its occurrences;

(b) Part 5 is amended as follows:

- (i) in point 1.2, the last three sentences are deleted;
- (ii) in point 5.1.3, the number '1 000' is replaced by the number '2 000';
- (iii) in point 6.1, the number '1 000' is replaced by the number '2 000';
- (iv) point 6.1.1 is replaced by the following:

'6.1.1. To confirm that the vehicle meets the requirements of this Part, the vehicle shall be tested at up to 14 spot frequencies in the range, for example: 27, 45, 65, 90, 120, 150, 190, 230, 280, 380, 450, 600, 750, 900 and from 1 000 to 2 000 MHz, in accordance with the increment specified in ISO 11451-1, 3rd ed., 2005 and Amd 1:2008.;

- (v) in point 7.1.2, the number '1 000' is replaced by the number '2 000';
- (vi) in point 7.4, the following sentence is added:

'The vehicle shall be exposed to electromagnetic radiation in the 20 to 2 000 MHz frequency ranges in vertical polarisation.;

- (vii) point 7.4.2 is replaced by the following:

'7.4.2. Test signal wave form

The test signal modulation shall be:

- (a) Amplitude Modulation (AM), with 1 kHz modulation and 80 % modulation depth ($m = 0,8 \pm 0,04$) in the 20 – 1 000 MHz frequency range (as defined in Figure 3 of this part), and
- (b) Pulse Modulation (PM), with $t_{on} = 577 \mu s$ and period = 4 600 μs , in the 1 000 – 2 000 MHz frequency range, as specified in ISO 11451-1, 3rd ed., 2005 and Amd1:2008.;

- (viii) the following point 7.4.4 is inserted:

'7.4.4. Exposure time

The exposure time for each test frequency shall be sufficient to allow the tested vehicle to respond under normal conditions. In any case, it must not be less than 2 seconds.;

(7) Annex XXI is amended as follows:

- (a) point 2.1 is replaced by the following:

'2.1. The maximum dimensions of any vehicle of category T or C are as follows:

2.1.1. length: 12 m;

2.1.2. width: 2,55 (ignoring the deflected part of the tyre walls at the point of contact with the ground);

The width may be increased up to 3,00 m if this is solely caused by the installation of tyres, rubber tracks or dual tyre configurations, necessary for soil protection, including spray suppression systems, provided that the width of the vehicle permanent structure is limited to 2,55 m and the type-approved vehicle is also fitted with at least one set of tyres or rubber tracks for which its width may not exceed 2,55 m.

2.1.3. height: 4 m.;

- (b) the following points 2.3, 2.3.1, 2.3.2 and 2.3.3 are inserted:

'2.3. The maximum dimensions of any vehicle of category R are as follows:

2.3.1. length: 12 m;

2.3.2. width: 2,55 m (ignoring the deflected part of the tyre walls at the point of contact with the ground).

The width may be increased up to 3,00 m if this is solely caused by either of the following circumstances:

- (a) the use of soil protection tyres configurations, provided that the vehicle can also be fitted with at least one set of tyres where its width does not exceed 2,55 m. The structure of the vehicle necessary for transport purposes may not exceed in width 2,55 m. Where the vehicle can also be fitted with at least one set of tyres with its width not exceeding 2,55 m, the spray suppression systems, if fitted, will be such that the vehicle width is limited to 2,55 m;
- (b) the presence of tools, necessary for the functioning of the vehicle and in compliance with the provisions implementing Directive 2006/42/EC of the European Parliament and of the Council (*). The structure of the vehicle necessary for transport purposes may not exceed in width 2,55 m;

2.3.3. height: 4 m.

(*) Directive 2006/42/EC of the European Parliament and of the Council of 17 May 2006 on machinery, and amending Directive 95/16/EC (recast) (OJ L 157, 9.6.2006, p. 24).;

(8) in Annex XXVI, point 2.4.2 is replaced by the following:

‘2.4.2. the width of the device shall at no point exceed the width of the rear axle measured at the outermost points of the wheels, excluding the bulging of the tyres close to the ground, nor shall it be more than 10 cm shorter on either side. Where there is more than one rear axle, the width to be considered is that of the widest. The width of the device shall not exceed in any case 2,55 m.’;

(9) in Annex XXVII, in point 2.1, the first sentence is replaced by the following:

‘The width of the vehicle with the device shall not exceed the maximum overall width of the vehicle, or 2,55 m, whichever is the narrower. The main part of its outer surface shall not be more than 120 mm inboard from the outermost plane (maximum width) of the vehicle.’;

(10) in Annex XXVIII, point 2, the second indent is replaced by the following:

‘— the width does not exceed the maximum overall width of the tractor without equipment, or 2,55 m, whichever is the narrower.’;

(11) in Annex XXXIV, the following point is inserted:

‘2.9. Where a towed vehicle tows another towed vehicle, the mechanical coupling of the former shall comply with the requirements on mechanical couplings for tractors.’.

ANNEX II

Corrections to Delegated Regulation (EU) 2015/208

Annexes I, IV, XII and XXXIV to Delegated Regulation (EU) 2015/208 are corrected as follows:

(1) Annex I is corrected as follows:

- (a) the row below the row with Regulation Number 5 is deleted;
- (b) the row below the row with Regulation Number 21 is deleted;
- (c) the row below the row with Regulation Number 75 is deleted;

(2) Annex IV is corrected as follows:

- (a) points 1.1, 1.2 and 2 are deleted;
- (b) the following points 2, 3 and 4 are added:
 - '2. The requirements of ISO 10998:2008, Amd 1 2014 shall apply to the steering of vehicles belonging to categories Tb and Cb with maximum design speed exceeding 40 km/h and not exceeding 60 km/h.
 - 3. The steering action of Cb tractors shall be in accordance with the requirements laid down in point 3.9 of Annex XXXIII.
 - 4. The requirements on steering effort for the vehicles referred to in points 1 shall be the same as the requirements for vehicles of N2 category set out in section 6 of UNECE Regulation No 79 as referenced in Annex I.

For a vehicle equipped with a straddle seat and handlebars, the same steering effort requirements shall apply at the middle of the grip.;

(3) Annex XII is corrected as follows:

- (a) the last sentence in point 6.15.5 is replaced by the following:

'The vertical angle below the horizontal may be reduced to 5° if the height above the ground of the reflector is less than 750 mm.;
- (b) the title of Appendix 3 is replaced by the following:

'Dimensions, minimum size of the reflecting surface, colour and photometric minimum requirements and identification and marking of signalling panels and signalling foils for vehicles with width exceeding 2,55 m';

(4) Annex XXXIV is corrected as follows:

- (a) in point 3.4.1, the formula for h_2 is replaced by the following:
$$h_2 \leq (((m_{ia} - 0,2 \times m_i) \times 1 - (S \times c)) / (0,6 \times (m_t - 0,2 \times m_t + S)))$$
- (b) in point 8, point (b) is replaced by the following:

'(b) interchangeable towed equipment of category R1a or R2a intended mainly to process materials within the meaning of Article 3(9) of Regulation (EU) No 167/2013';

COMMISSION DELEGATED REGULATION (EU) 2018/830**of 9 March 2018****amending Annex I to Regulation (EU) No 167/2013 of the European Parliament and of the Council and Commission Delegated Regulation (EU) No 1322/2014 as regards the adaptation of the vehicle construction and general requirements for the approval of agricultural and forestry vehicles**

THE EUROPEAN COMMISSION,

Having regard to the Treaty on the Functioning of the European Union,

Having regard to Regulation (EU) No 167/2013 of the European Parliament and of the Council of 5 February 2013 on the approval and market surveillance of agricultural and forestry vehicles ⁽¹⁾, and in particular Article 18(4) and Article 49(3) thereof,

Whereas:

- (1) Several entries of Annex I to Regulation (EU) No 167/2013 should be amended to permit laying down requirements for additional vehicle categories in accordance with the latest versions of certain standard Codes for the official testing of agricultural and forestry tractors of the Organisation for Economic Cooperation and Development (OECD standard Codes) ⁽²⁾.
- (2) UNECE regulations which apply on a compulsory basis set out in Annex I to Commission Delegated Regulation (EU) No 1322/2014 ⁽³⁾ are updated frequently. In that regard, the list should be complemented with an explanatory note clarifying that manufacturers are allowed to use subsequent supplements of the applicable series of amendments of those UNECE regulations, even if they are not published in the *Official Journal of the European Union*.
- (3) To make clear that certain requirements of Union legislation are equivalent and fully aligned with the requirements set out in the OECD standard Codes, the text of the requirements and the numbering set out in certain Annexes to Delegated Regulation (EU) No 1322/2014 should be adapted to make them identical with the text and numbering of the corresponding OECD standard Code.
- (4) To reduce the number of injuries and fatal accidents caused by the failure to raise the rear – mounted foldable roll-over protection structure on narrow-track tractors in potentially dangerous situations, ergonomic requirements should be made compulsory to facilitate and encourage the raising of the roll-over protection structure when needed.
- (5) The list of test reports issued on the basis of the OECD standard Codes and recognised for the purposes of EU type approval as an alternative to the test reports issued on the basis of Delegated Regulation (EU) No 1322/2014 should be brought up to date.
- (6) For the purposes of clarifying and improving certain test procedures, additional minor amendments should be made to the test method for the driver's seat and to the requirements on access to the driving position, on the minimum strength of control devices and on the burning rate of cab material set out in Delegated Regulation (EU) No 1322/2014.
- (7) Regulation (EU) No 167/2013 and Delegated Regulation (EU) No 1322/2014 should therefore be amended accordingly,

HAS ADOPTED THIS REGULATION:

*Article 1***Amendment to Annex I to Regulation (EU) No 167/2013**

In Annex I to Regulation (EU) No 167/2013, in row No 38, in the columns for vehicle categories Ca and Cb, 'NA' is replaced by 'X'.

⁽¹⁾ OJ L 60, 2.3.2013, p. 1.⁽²⁾ <http://www.oecd.org/tad/code/oecd-standard-codes-official-testing-agricultural-forestry-tractors.htm>⁽³⁾ Commission Delegated Regulation (EU) No 1322/2014 of 19 September 2014 supplementing and amending Regulation (EU) No 167/2013 of the European Parliament and of the Council with regard to vehicle construction and general requirements for the approval of agricultural and forestry vehicles (OJ L 364, 18.12.2014, p. 1).

Article 2

Amendments to Delegated Regulation (EU) No 1322/2014

Delegated Regulation (EU) No 1322/2014 is amended as follows:

- (1) in Article 12, the words ‘for vehicles of categories T2, T3 and T4.3’ are replaced by the words ‘for vehicles of categories T2/C2, T3/C3 and T4.3/C4.3’;
- (2) in Chapter V, the following Article 35a is inserted:

‘Article 35a

Transitional provisions

1. Until 26 June 2018, national authorities shall continue to grant type-approvals to agricultural and forestry vehicle types, or types of systems, components or separate technical units in accordance with this Regulation, in its version applicable on 25 June 2018.
 2. Until 31 December 2018, the Member States shall permit the placing on the market, registration or entry into service of agricultural and forestry vehicles, systems, components or separate technical units based on a type approved in accordance with this Regulation, in its version applicable on 25 June 2018.’;
- (3) in Annex I, in the text under the heading ‘Explanatory note’, the following paragraphs are added:

‘The transitional provisions of the UNECE regulations listed in this table shall apply, except where specific alternative dates are provided for in this Regulation. Compliance with prescriptions in accordance with subsequent amendments to those listed in this table shall also be accepted.’;

- (4) Annex II is amended in accordance with Annex I to this Regulation;

- (5) Annex VI is amended as follows:

- (a) Point B is amended as follows:

- (a) in point 3.8.2., the first paragraph is replaced by the following

‘When applicable, cold weather embrittlement properties shall be verified either in accordance with the requirements in points 3.8.2.1. to 3.8.2.7., or with the requirements in point 3.8.3.’;

- (b) the following point 3.8.3. is inserted:

‘3.8.3. Resistance to cold weather embrittlement may be demonstrated by applying the rules and directions of Section 3 of this Point B at a reduced temperature of – 18 °C or colder. Prior to dynamic testing the protective structure and all mounting hardware shall be cooled to – 18 °C or colder.’;

- (6) in the Explanatory notes to Annex VI, explanatory note (1) is replaced by the following:

‘(1) Unless otherwise stated, the text of the requirements and the numbering set out in point B are identical with the text and numbering of the OECD standard Code for the official testing of protective structures on agricultural and forestry tractors (dynamic test), OECD standard Code 3, Edition 2017 of February 2017.’;

- (7) in Annex VII, in the Explanatory notes to Annex VII, explanatory note (1) is replaced by the following:

‘(1) Unless otherwise stated, the text of the requirements and the numbering set out in point B are identical with the text and numbering of the OECD standard Code for the official testing of protective structures on agricultural and forestry track-laying tractors, OECD standard Code 8, Edition 2017 of February 2017.’;

- (8) Annex VIII is amended as follows:

- (a) in point B, point 3.11.2. is replaced by the following:

‘3.11.2. Where applicable, cold weather embrittlement properties shall be verified in accordance with the requirements given in 3.11.2.1 to 3.11.2.7’;

(b) in the Explanatory notes to Annex VIII, explanatory note (1) is replaced by the following:

‘(1) Unless otherwise stated, the text of the requirements and the numbering set out in point B are identical with the text and numbering of the OECD standard Code for the official testing of protective structures on agricultural and forestry tractors (static test), OECD standard Code 4, Edition 2017 of February 2017.’;

(9) Annex IX is amended in accordance with Annex II to this Regulation;

(10) Annex X is amended in accordance with Annex III to this Regulation;

(11) Annex XI is amended in accordance with Annex IV to this Regulation;

(12) Annex XIII is amended as follows:

(a) in point 3.1.3., the following paragraph is added:

‘At the discretion of the manufacturer, an additional optional noise measurement may be made with the engine stopped and auxiliaries such as ventilating fans, defrosters and other electrical facilities working at maximum settings.’;

(b) the following point 3.2.2.2.2. is inserted:

‘3.2.2.2.2. During the optional third series of measurements the engine shall be stopped and auxiliaries such as ventilating fans, defrosters and other electrical facilities shall be working at maximum settings.’;

(13) Annex XIV is amended in accordance with Annex V to this Regulation;

(14) In Annex XV, point 3.3.2., is replaced by the following:

‘3.3.2. The upper step or rung must be easily identifiable and accessible for a person leaving the vehicle. The vertical distance between successive steps or rungs shall be equal. However, a tolerance of 20 mm is allowed.’;

(15) in Annex XVIII, in the Explanatory notes to Annex XVIII, explanatory note (1) is replaced by the following:

‘(1) Unless the numbering, the requirements set out in point B are identical with the text of the OECD standard Code for the official testing of for the official testing of protective structures on agricultural and forestry tractors (static test), OECD standard Code 4, Edition 2017 of February 2017.’;

(16) in Annex XXII, point 4 is replaced by the following:

‘4. Noise declaration

The operator’s manual shall give the values of the noise at the operator’s ear for each testing condition set out in Annex XIII, or alternatively the results of sound level test of OECD standard Code 5 in accordance with point 4 of its specimen test report.’;

(17) in Annex XXIII, point 1.2.1. is replaced by the following:

‘1.2.1. Control devices such as steering wheels or steering levers, gear levers, control levers, cranks, pedals and switches shall be chosen, designed, constructed and arranged so that their actuating forces, displacement, locations, methods of operation and colour coding are in accordance with the standard ISO 15077:2008, including the provisions set out in Annexes A and C of that standard.’;

(18) in Annex XXVII, point 2 is replaced by the following:

‘2. Burning rate of cab material

The burning rate of cab interior material such as the seat covering, wall, floor and headliner coverings when provided shall not exceed the maximum rate of 150 mm/min when tested in accordance with the standard ISO 3795:1989 or the standard FMVSS302.’.

Article 3

Entry into force

This Regulation shall enter into force on the twentieth day following that of its publication in the *Official Journal of the European Union*.

This Regulation shall be binding in its entirety and directly applicable in all Member States.

Done at Brussels, 9 March 2018.

For the Commission

The President

Jean-Claude JUNCKER

ANNEX I

In Annex II to Delegated Regulation (EU) No 1322/2014, the table is replaced by the following:

Test report on the basis of OECD standard Code No	Subject	Edition	Applicability	Alternative to the EU test report on the basis of
3	Official testing of protective structures on agricultural and forestry tractors (dynamic test)	Edition 2017 -February 2017-	T1, T4.2 and T4.3	Annex VI Annex XVIII (if the seat-belt anchorages have been tested)
4	Official testing of protective structures on agricultural and forestry tractors (static test)	Edition 2017 -February 2017-	T1/C1, T4.2/C4.2 and T4.3/C4.3	Annex VIII and Annex XVIII (if the seat-belt anchorages have been tested)
5	Official measurement of noise at the driving position(s) on agricultural and forestry tractors	Edition 2017 -February 2017-	T and C	Annex XIII
6	Official testing of front mounted roll-over protective structures on narrow-track wheeled agricultural and forestry tractors	Edition 2017 -February 2017-	T2/C2, T3/C3 and T4.3/C4.3	Annex IX (if the performance requirements for foldable roll-over protection structures have been tested and met) and Annex XVIII (if the seat-belt anchorages have been tested)
7	Official testing of rear mounted roll-over protective structure on narrow-track wheeled agricultural and forestry tractors	Edition 2017 -February 2017-	T2/C2, T3/C3 and T4.3/C4.3	Annex X (if the performance requirements for foldable roll-over protection structures have been tested and met) and Annex XVIII (if the seat-belt anchorages have been tested)
8	Official testing of protective structures on agricultural and forestry track-laying tractors	Edition 2017 -February 2017-	C1, C2, C4.2 and C4.3	Annex VII and Annex XVIII (if the seat-belt anchorages have been tested)
10	Official testing of falling object protective structures on agricultural and forestry tractors	Edition 2017 -February 2017-	T and C	Annex XI Part C.

ANNEX II

Annex IX to Delegated Regulation (EU) No 1322/2014 is amended as follows:

(1) Point B is amended as follows:

(a) point 1.3.1. is replaced by the following:

‘1.3.1. Preliminary definition: median plane of the wheel or track

The median plane of the wheel or track is equidistant from the two planes containing the periphery of the rims or tracks at their outer edges.’;

(b) in point 1.3.2., the following sentence is added:

‘For tracklaying tractors, the track is the distance between the median planes of the tracks.’;

(c) in point 1.4., the following sentence is added:

‘For tractors fitted with tracks: the distance between the vertical planes perpendicular to the median longitudinal plane of the tractor passing through the axles of the driving wheels.’;

(d) points 2.1.2. and 2.1.3. are replaced by the following:

‘2.1.2. fixed or adjustable minimum track width with one of the axles less than 1 150 mm fitted with tyres or tracks of a larger size. It is assumed that the axle mounted with the wider tyres or tracks is set at a track width of not more than 1 150 mm. It must be possible to set the track width of the other axle in such a way that the outer edges of the narrower tyres or tracks do not go beyond the outer edges of the tyres or tracks of the other axle. Where the two axles are fitted with rims and tyres or tracks of the same size, the fixed or adjustable track width of the two axles must be less than 1 150 mm;

2.1.3. mass greater than 400 kg but less than 3 500 kg, corresponding to the unladen mass of the tractor, including the roll-over protective structure and tyres or tracks of the largest size recommended by the manufacturer. The maximum permissible mass shall not exceed 5 250 kg and the Mass Ratio (Maximum Permissible Mass/Reference Mass) must not be greater than 1,75’;

(e) in point 3.1.2.3., the following sentence is added:

‘In case of tractor fitted with tracks, the manufacturer shall define the tracks setting.’;

(f) in point 3.1.3.2., the second and third sentence are replaced by the following:

‘This angle must be at least 38° at the moment when the tractor is resting in a state of unstable equilibrium on the wheels or tracks touching the ground. Perform the test once with the steering wheel turned to full right lock and once with the steering wheel turned to full left lock.’;

(g) point 3.1.4.3.1. is amended as follows:

(i) the line for tractor characteristic B_0 is replaced by the following:

B_0 (m) Rear tyre or track width;’;

(ii) the lines for tractor characteristics D_2 and D_3 are replaced by the following:

D_2 (m) Height of front tyres or tracks under full axle load;

D_3 (m) Height of rear tyres or tracks under full axle load;’;

(iii) in the line for tractor characteristic S, the words ‘The sum of the track (S) and tyre (B_0) widths must be greater than the width B_0 of the protective structure.’ are replaced by the words ‘The sum of the rear track width (S) and tyre or track (B_0) widths must be greater than the width B_0 of the protective structure.’;

(h) point 3.1.4.3.2.2. is replaced by the following:

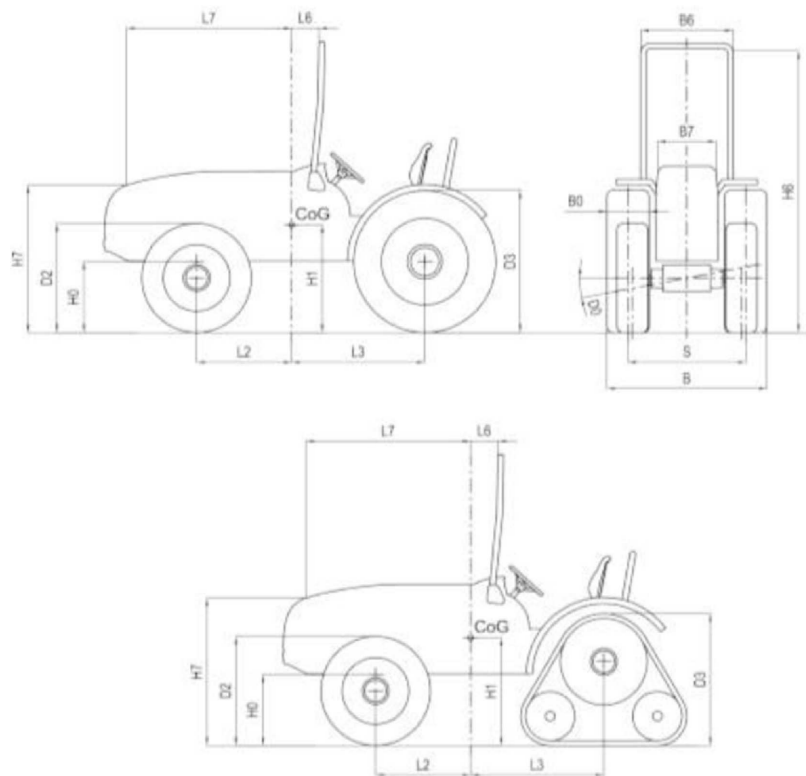
‘3.1.4.3.2.2. the axis of rotation is parallel to the tractor’s longitudinal axis and passes through the centre of the contact surfaces of the downhill front and rear wheel or track;’;

- (i) in point 3.1.5.1., the last paragraph is replaced by the following:
‘The distances between the centre of gravity and the rear axle (L_1) or the front axle (L_2) shall be calculated from the mass distribution of the tractor between the rear and the front wheels or tracks.’;
- (j) point 3.1.5.2. is replaced by the following:
‘3.1.5.2. Heights of rear (D_1) and front (D_2) tyres or tracks
The distance from the highest point of the tyre or tracks to the ground plane shall be measured (Figure 6.5), and the same method shall be used for the front and rear tyres or tracks.’;
- (k) in point 3.1.5.4., the last paragraph is replaced by the following:
‘The point of impact is defined by the plane tangent to the protective structure passing through the line made by the top outer points of the front and rear tyres or tracks (Figure 6.7).’;
- (l) in point 3.1.5.6., the last paragraph is replaced by the following:
‘The point of impact is defined by the plane tangent to the engine bonnet and the protective structure passing through the top outer points of the front tyre or track (Figure 6.7). The measurement shall be made on both sides of the engine bonnet.’;
- (m) in point 3.1.5.9., the first and second paragraph under the heading ‘Height of the front-axle pivot point (H_0)’ are replaced by the following:
‘The vertical distance between the centre of the front-axle pivot point to the centre of axle of the front tyres or tracks (H_{01}) shall be included in the manufacturer’s technical report and shall be checked.
The vertical distance from the centre of the front tyres or tracks axle to the ground plane (H_{02}) shall be measured (Figure 6.8).’;
- (n) points 3.1.5.10. and 3.1.5.11. are replaced by the following:
‘3.1.5.10. Rear track width (S)
The minimum rear track width fitted with tyres or tracks of the largest size, as specified by the manufacturer, shall be measured (Figure 6.9).
3.1.5.11. Rear tyre or track width (B_0)
The distance between the outer and the inner vertical planes of a rear tyre or track in its upper part shall be measured (Figure 6.9).’;
- (o) point 3.2.1.3.4. is replaced by the following:
‘3.2.1.3.4. The track width must be adjusted so that the protective structure will, as far as possible, not be supported by the tyres or tracks during the strength tests. If these tests are conducted in accordance with the static procedure, the wheels or tracks may be removed.’;
- (p) point 3.2.2.2.4. is replaced by the following:
‘3.2.2.2.4. If the tractor is fitted with a suspension system between the tractor body and the wheels or tracks, it shall be blocked during the tests.’;
- (q) point 3.2.5.4. is replaced by the following:
‘3.2.5.4. Crushing rig
A rig as shown in Figure 6.10 shall be capable of exerting a downward force on a protective structure through a rigid beam approximately 250 mm wide, connected to the load-applying mechanism by means of universal joints. Suitable axle stands must be provided so that the tractor tyres or tracks do not bear the crushing force.’;
- (r) in point 3.3.2.2., the last sentence of the last paragraph is replaced by the following:
‘For estimating this, the front and rear tyres or tracks and track width setting shall be the smallest standard fitting specified by the manufacturer.’;

- (s) figure 6.5 is replaced by the following:

‘Figure 6.5

Data required for calculating the overturn of a tractor with triaxial rolling behaviour



Note: D2 and D3 should be measured under full axle load.;

- (t) in point 5.3.1., in the last paragraph, the following sentence is added:

‘In the case of a tractor fitted with tracks, the manufacturer shall define the tracks setting.’;

- (u) in section B4 (‘Requirements for virtual testing’), the following paragraph is added:

‘For tractor fitted with tracks, the following lines have to be substituted in the original model:

520 LOCATE 12, 40: PRINT ‘HEIGHT OF THE REAR TRACKS D3=’

*540 PRINT ‘HEIGHT OF THE FRT TRACKS D2=’: LOCATE 13, 29: PRINT “

650 LOCATE 17, 40: PRINT ‘REAR TRACKS WIDTH B0=’

970 LPRINT TAB(40); ‘HEIGHT OF THE REAR TRACKS D3=’;

*980 LPRINT ‘HEIGHT OF THE FRT TRACKS D2=’;

1160 LPRINT TAB(40); ‘REAR TRACK WIDTH B0=’;

1390 W2 = SQR(H0 * H0 + L0 * L0): S1 = S/2 + B0/2

1530 F2 = 2 * ATN(- L0/D3 + SQR((L0/D3) ^ 2 - (D2/D3) + 1))

1590 X(1, 5) = D3

1660 Y(1, 5) = -L3

* if applicable’;

- (2) in the Explanatory notes to Annex IX, explanatory note (1) is replaced by the following:

‘(1) Unless the numbering of sections B2 and B3 which has been harmonised with the whole Annex, the text of the requirements and the numbering set out in point B are identical with the text and numbering of the OECD standard Code for the official testing of front mounted roll-over protective structures on narrow-track agricultural and forestry tractors, OECD standard Code 6, Edition 2017 of February 2017.’.

ANNEX III

Annex X to Delegated Regulation (EU) No 1322/2014 is amended as follows:

(1) in Point A, the following point 3 is added:

'3. In addition to the requirements set out in point 2, the performance requirements for foldable roll-over protective structures (ROPS) set out in section B3 shall be met.');

(2) Point B is amended as follows:

(1) point 3.1.2.2.5 is replaced by the following:

'3.1.2.2.5. The side chosen for application of the first load on the rear of the structure shall be that which, in the opinion of the testing authorities, will result in the application of the series of loads under the most unfavourable conditions for the structure. The lateral load shall be applied to the opposite side of the median plane of the tractor than the longitudinal load. The front load shall be applied on the same side of the longitudinal median plane of the protective structure as the lateral load.');

(2) the following section B3 is added:

'B3 PERFORMANCE REQUIREMENTS FOR FOLDABLE ROLL-OVER PROTECTION STRUCTURES

5.1. Scope

This Section provides minimum performance and tests requirements for rear mounted foldable ROPS which are raised and/or lowered manually by a standing operator (with or without partial assistance) and locked manually or automatically.

5.2. For the purposes of this section, the following definitions shall apply:

5.2.1. '*hand-operated foldable ROPS*' is a rear-mounted dual pillar protective structure with hand raising/lowering directly managed by the operator (with or without partial assistance);

5.2.2. '*automatic foldable ROPS*' is a rear-mounted dual pillar protective structure with full assisted raising/lowering operations;

5.2.3. '*locking system*' is a device fitted to lock, by hand or automatically, the ROPS in the raised or lowered positions;

5.2.4. '*grasping area*' is an area defined by the manufacturer as a portion of the ROPS and/or additional handle fitted to the ROPS where the operator is allowed to carry out the raising/lowering operations;

5.2.5. '*accessible part of the grasping area*' is the area where the ROPS is handled by the operator during the raising/lowering operations; this area shall be defined with regard to the geometric centre of cross sections of the grasping area;

5.2.6. '*accessible zone*' is the volume where a standing operator can apply a force in order to raise/lower the ROPS;

5.2.7. '*pinching point*' is a point where parts move in relation to each other or to fixed parts in such a way as may cause persons or certain parts of their bodies to be pinched;

5.2.8. '*shear point*' is a point where parts move along each other or along other parts in such a way as may cause persons or certain parts of their bodies to be pinched or shorn;

5.2.9. '*place to stand*' is a place on the tractor platform accessible from the driving position main access with sufficient space for a standing operator.

5.3. Hand-operated foldable ROPS

5.3.1. Prior conditions for the test

5.3.1.1. Grasping area

The manual handling shall be done by a standing operator with one or more grasps on grasping area of the roll-bar.

The roll-bar can be handled from the ground or from a place to stand on the platform (Figures 7.8a and 7.8b).

The operator can handle the roll-bar in parallel with or in front of its trajectory.

A multiple step process with multiple operator positions and multiple defined grasping areas is allowed.

The grasping area shall be clearly and permanently identified (Figure 7.9).

This area has to be designed without sharp edges, sharp angles and rough surfaces likely to cause injury to the operator.

This area could be on one or both sides of the tractor and could be a structural part of the roll-bar or additional handles. In this grasping area the manual handling to raise or lower the roll-bar shall not create shearing, pinching or uncontrollable movement hazards to the operator.

5.3.1.2. Accessible zones

Three accessible zones with different amount of allowed force are defined with respect to horizontal plane of the ground and the vertical planes tangent to the outer parts of the tractor that limit the position or the displacement of the operator (Figure 7.10).

Zone I: comfort zone

Zone II: accessible zone without forward leaning of the body

Zone III: accessible zone with forward leaning of the body

Handling of the roll-bar in parallel with its trajectory

The position and the movement of the operator are limited by obstacles. These are parts of the tractor and are defined by vertical planes tangent to the external edges of the obstacle.

If the operator needs to move the feet during the manual handling of the roll-bar a displacement is allowed either within a parallel plane to the roll-bar trajectory or within just one more parallel plane to the previous one so as to overcome an obstacle. The overall displacement shall be considered as a combination of straight lines parallel and perpendicular to the roll-bar trajectory. A perpendicular displacement is accepted provided that the operator comes closer to the roll-bar. The accessible area shall be considered as the envelope of the different accessible zones (Figure 7.11).

Handling of the roll-bar in front of its trajectory:

Only for handling of the roll-bar in front of its trajectory are considered as accessible extensions of the zone II and zone III (Figure 7.12). In these extensions the acceptable actuation forces are the same ones as respectively in zone II and in the zone III.

If the operator needs to move during the manual handling of the roll-bar it must be done so by a displacement without any obstacle within a plane parallel to the roll-bar trajectory.

In this case the accessible area shall be considered as the envelope of the different accessible zones.

5.3.1.3. Place to stand

Any place to stand on the platform declared by the manufacturer shall be accessible from the main access to the driving position and fulfil the following requirements:

- A place provided for standing shall have sufficient space for both of the operator's feet, be flat and have a slip-resistant surface. Depending on the machine configuration, it may consist of two separate surfaces and may use machine components. It shall be positioned so that the operator can maintain stability while carrying out the service required and be on the same height level with a tolerance of ± 50 mm.
- Handhold(s) and/or railings shall be provided in order to allow three-point contact. Parts of the machine can be considered to fulfil this requirement.

It is considered that a place for standing has sufficient space if its surface is at least a square in cross section of 400 mm per side (Figure 7.13).

Alternatively the place to stand requirement may be met by providing sufficient space for one foot on a flat surface and one knee on the seat.

5.3.1.4. Test conditions

The tractor must be fitted with tyres having the greatest diameter indicated by the manufacturer and the smallest cross-section for tyres of that diameter. The tyres must be inflated to the pressure recommended for field work.

The rear wheels must be set to the narrowest track width; the front wheels must be set as closely as possible to the same track width. If it is possible to have two front track settings which differ equally from the narrowest rear track setting, the wider of these two front track settings must be selected.

5.3.2. Test procedure

The aim of the test is to measure the force necessary to raise or lower the roll-bar. The test will be carried out in static condition: no initial movement of the roll-bar. Each measurement of the force necessary to raise or lower the roll-bar shall be made in a direction tangent to the trajectory of the roll-bar and passing through the geometric centre of cross sections of the grasping area.

The grasping area is considered accessible when located within the accessible zones or the envelope of different accessible zones (Figure 7.14).

The force necessary to raise and lower the roll-bar shall be measured in different points that are within the accessible part of the grasping area (Figure 7.15).

The first measure is carried out at the extremity of the accessible part of the grasping area when the roll-bar is fully lowered (Point 1 in Figure 7.15).

The second measure is defined according to the position of Point 1 after rotation of the roll-bar up to the point where the perpendicular to the trajectory of the roll-bar is vertical (Point 2 in Figure 7.15).

The third measure is carried out after rotation of the roll-bar up to the top of the accessible part of the grasping area (Point 3 in Figure 7.15).

If in this third measure the roll-bar is not fully raised, a point shall be measured at the extremity of the accessible part of the grasping area when the roll bar is fully raised (Point 4 in Figure 7.15).

If between point 1 and point 3 the trajectory of extremity of the accessible part of the grasping area crosses the limit between Zone I and Zone II an additional measurement shall be made at this point (Figure 7.16).

The maximum forces in these points shall not exceed the acceptable force of the zone (I, II or III).

In order to measure the force in the required points, it is possible either to measure directly the value or to measure the torque needed to raise or lower the roll-bar so as to calculate the force.

5.3.3. Condition of acceptance

5.3.3.1. Force requirement

The force acceptable for the actuation of the ROPS depends on the accessible zone as shown in Table 7.2.

Table 7.2

Allowed forces

Zone	I	II	III
Acceptable force (N)	100	75	50

An increase of no more than 25 % of these acceptable forces is allowed when the roll-bar is fully lowered and fully raised.

An increase of no more than 25 % of these acceptable forces is allowed if the roll-bar is handled in front of its trajectory.

An increase of no more than 50 % of these acceptable forces is allowed in the lowering operation.

5.3.3.2. Additional requirements

The manual handling to raise or lower the roll-bar shall not create shearing, pinching or uncontrollable movement hazards to the operator.

A pinching point is not considered dangerous for the operator hands part if in the grasping area the safety distances between the roll-bar and fixed parts of the tractor are no less than 100 mm for hand, wrist, fist and 25 mm for finger (ISO 13854:1996). The safety distances shall be checked with respect to the mode of handling foreseen by the manufacturer in the operator's manual.

5.4. Hand locking system

The device fitted to lock the ROPS in the upright/lowered position must be designed:

- to be handled by one standing operator and located in one of the accessible zones;
- to be hardly separated from the ROPS (for example captive pins as locking pins or retaining pins);
- to avoid any confusion in the locking operation (the proper location of the pins shall be indicated);
- to avoid unintentional removing or losing of parts.

If the devices employed to lock the ROPS in the upright/lowered position are pins they shall be inserted or removed freely. If to do so there is a need to apply a force on the roll-bar this shall comply with the requirements of points 1 and 3 or 4 (see point 5.3).

For all other locking devices, they shall be engineered according to an ergonomic approach for what concerns the shape and the force especially avoiding pinching or shearing hazards.

5.5. Preliminary test of automatic locking system

An automatic locking system fitted on hand-operated foldable ROPS has to be submitted to a preliminary test before the ROPS strength test.

The roll-bar shall be moved from the lower position to the upright locked position and back. These operations correspond to one cycle. 500 cycles shall be completed.

This could be done manually or with the use of external energy (hydraulic, pneumatic or electric actuators). In both cases the force shall be applied within a plane parallel to the trajectory of the roll-bar and passing through the grasping area, the angular speed of the roll-bar shall be roughly constant and less than 20 deg/s.

After the 500 cycles, the force applied when the roll-bar is in the upright position shall not exceed by more than 50 % the allowed force (Table 7.2).

The unlocking of the roll-bar shall be done following the operator manual.

After the completion of the 500 cycles there shall be no maintenance or adjustment on the locking system.

Note 1: The preliminary test could be applied to automatic foldable ROPS systems as well. The test should be carried out before the ROPS strength test.

Note 2: The preliminary test could be carried out by the manufacturer. In such a case the manufacturer shall provide the test station with a certificate stating that the test has been done according the test procedure and that there was no maintenance or adjustment on the locking system after the completion of the 500 cycles. The test station will check the performance of the device with one cycle from the lower position to the upright locked position and back.

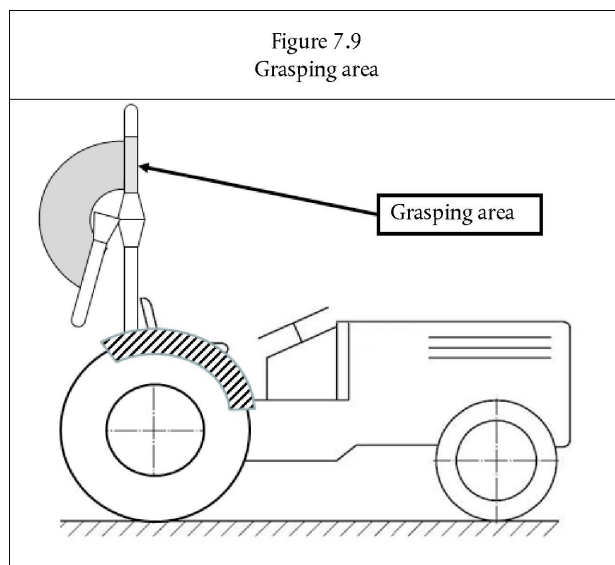
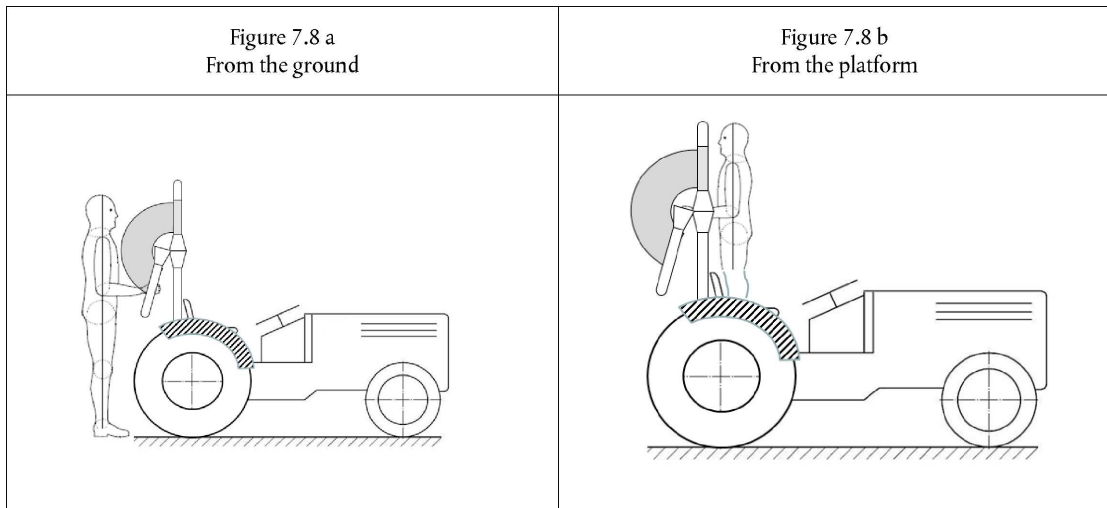


Figure 7.10
Accessible zones
(Dimensions in mm)

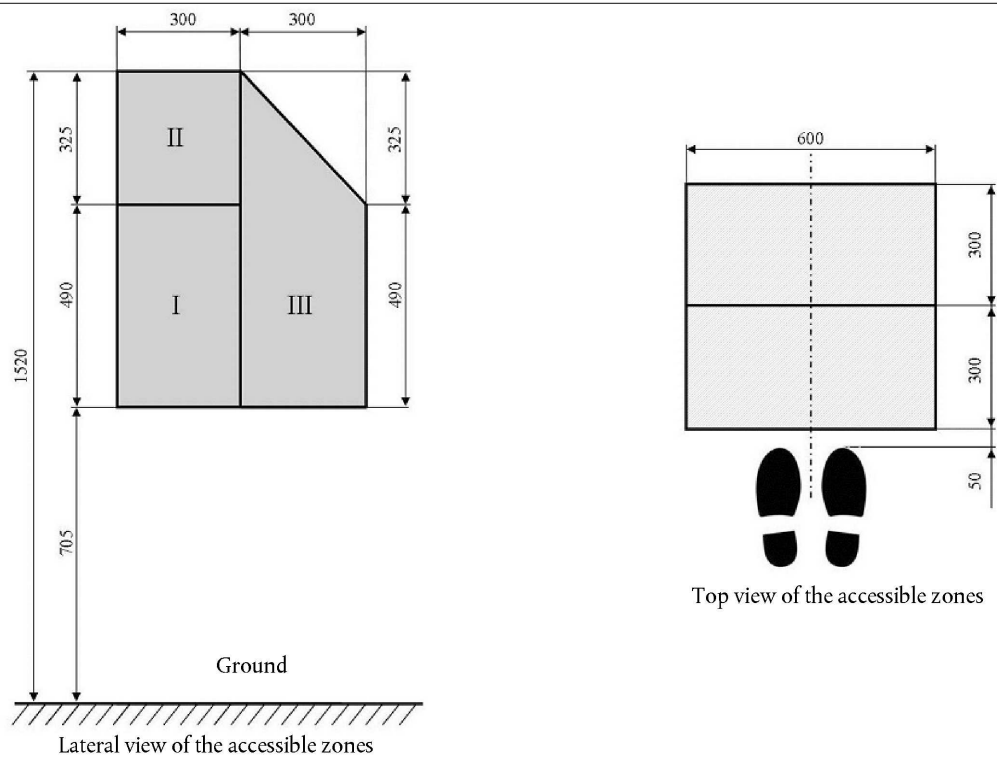
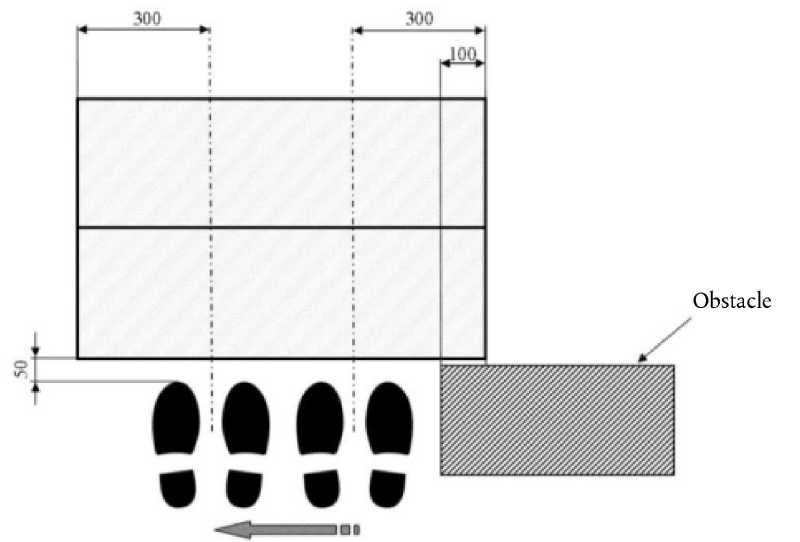
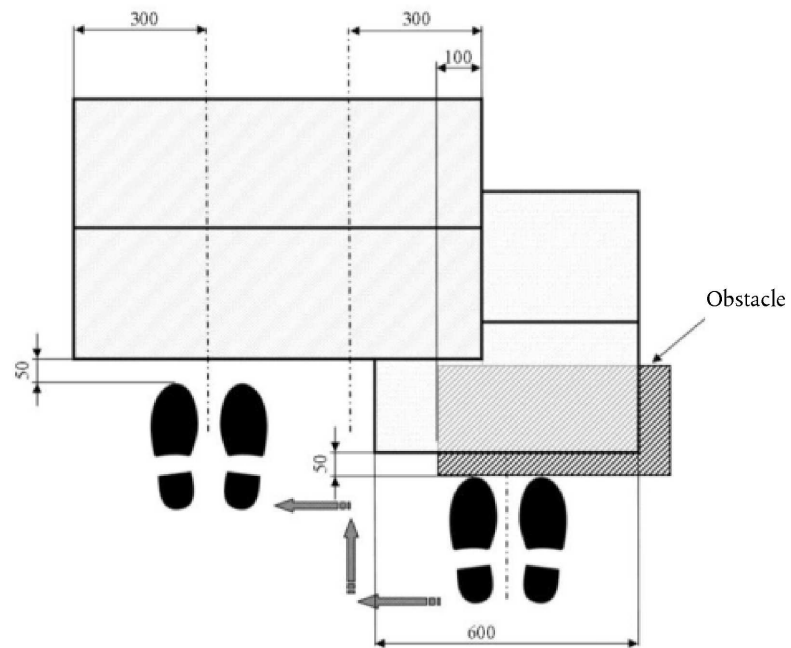


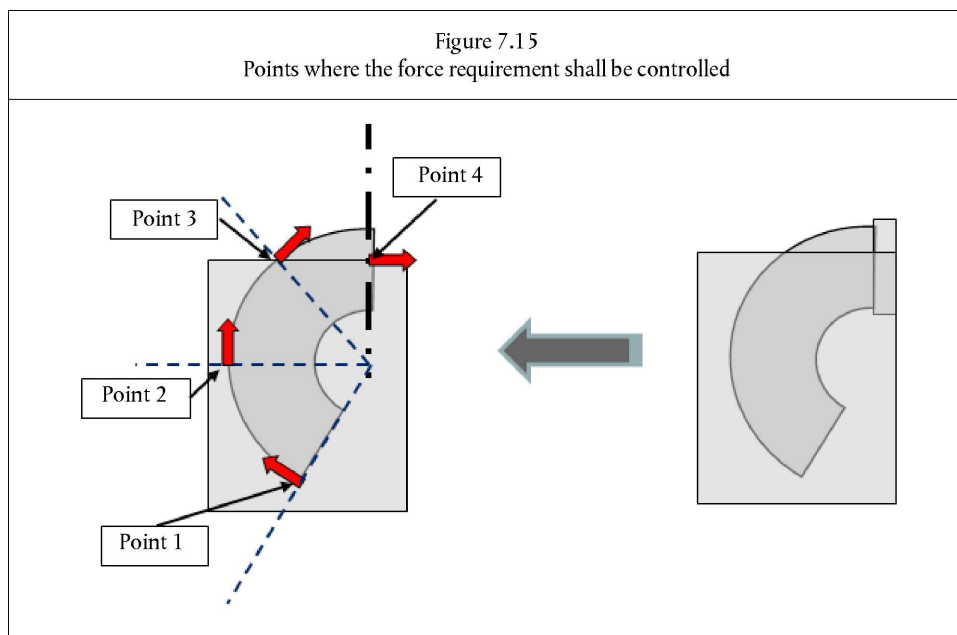
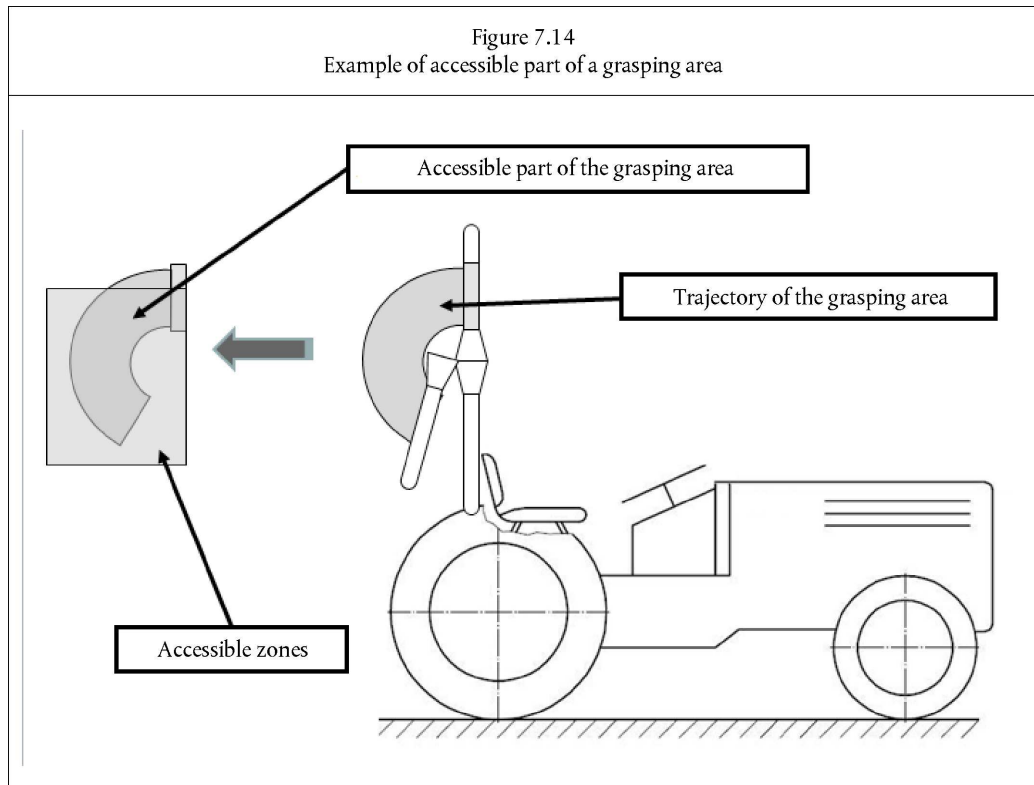
Figure 7.11
Envelope of the accessible zones
(Dimensions in mm)

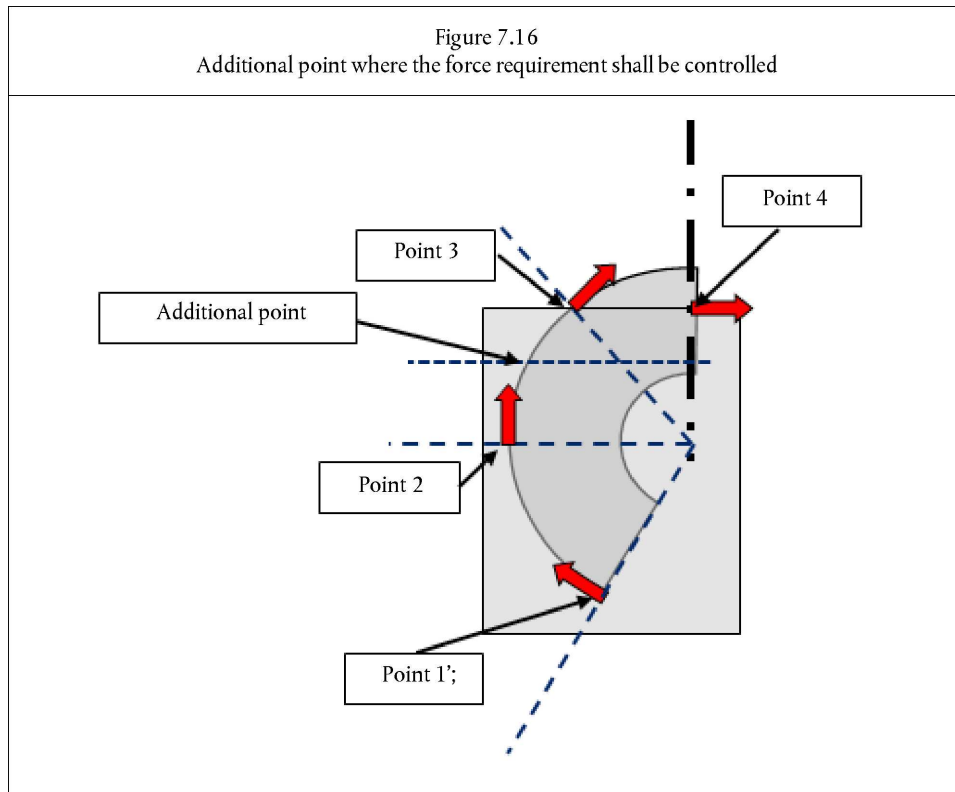


Displacement without change of directions



Displacement with one change of directions





(3) in the Explanatory notes to Annex X, explanatory note (1) is replaced by the following:

‘(1) Unless the numbering of sections B2 and B3 which has been harmonised with the whole Annex, the text of the requirements and the numbering set out in point B are identical with the text and numbering of the OECD standard Code for the official testing of rear mounted roll-over protective structures on narrow-track wheeled agricultural and forestry tractors, OECD standard Code 7, Edition 2017 of February 2017.’

—

ANNEX IV

Annex XI to Delegated Regulation (EU) No 1322/2014 is amended as follows:

(1) Point C is amended as follows:

(a) point 3.1.3. is replaced by the following:

'3.1.3. A protective structure may be designed solely to protect the driver in the event of an object falling. Onto this structure it may be possible to fit weather protection for the driver, of a more or less temporary nature. The driver will usually remove this in warm weather. There are protective structures, however, in which the cladding is permanent and warm weather ventilation provided by windows or flaps. As the cladding may add to the strength of the structure and if removable may well be absent when an accident occurs, all parts that can be so taken away by the driver shall be removed for the purpose of the test. Doors and windows that can be opened shall be either removed or fixed in the open position for the test, so that they do not add to the strength of the protective structure.';

(b) the following point 3.1.3.1. is inserted:

'3.1.3.1. In case of an openable roof hatch on the vertical projection of the safety zone, on request of the manufacturer, under his responsibility and in accordance with his instructions, the test can be either performed with the roof hatch:

- in the closed — locked position,
- in the open position,
- removed.

In any case, the requirements of point 3.3. shall be fulfilled and a description of the test condition shall be stated in the test report.

Throughout the remainder of these rules, reference will only be made to testing the protective structure. It must be understood that this includes cladding not of a temporary nature.

A description of any temporary cladding supplied is to be included in the specifications. All glass or similar brittle material shall be removed prior to the test. Tractor and protective structure components which might sustain needless damage during the test and which do not affect the strength of the protective structure or its dimensions may be removed prior to the test if the manufacturer wishes. No repairs or adjustment may be carried out during the test. Several identical samples can be provided by the manufacturer if several drop tests are required.';

(c) the following point 3.6.2.8. is inserted before Table 10.2:

'3.6.2.8. Alternatively, these requirements can be verified by applying the test object impact if all structural members are at, or below, $-18\text{ }^{\circ}\text{C}$.';

(d) the heading of Figure 10.3 is replaced by the following:

Figure 10.3

Minimum FOPS test configuration

Protective structure rigidly attached to the test bench at its normal mounting location';

(2) in the Explanatory notes to Annex XI, explanatory note (1) is replaced by the following:

'(1) Unless otherwise stated, the text of the requirements and the numbering set out in Point C are identical with the text and numbering of the OECD standard Code for the official testing of falling object protective structures on agricultural and forestry tractors, OECD standard Code 10, Edition 2017 of February 2017.'.

ANNEX V

Annex XIV to Delegated Regulation (EU) No 1322/2014 is amended as follows:

(1) Appendix 3 is amended as follows:

(a) in the table, the rows for PS Nos 1 and 2 are replaced by the following:

PS No	10^{-4} m ^a	t s
1	0 089	
2	0 215;	

(b) in the table, the rows for PS Nos 699 and 700 are replaced by the following:

PS No	10^{-4} m ^a	t s
699	0 023	
700	0 000	28·0;

(2) Appendix 4a is amended as follows:

(a) in the table, the rows for PS Nos 1 and 2 are replaced by the following:

PS No	10^{-4} m ^a	t s
1	0 022	
2	0 089;	

(b) in the table, the row for PS No 699 is replaced by the following:

PS No	10^{-4} m ^a	t s
699	0 062.	

COMMISSION REGULATION (EU) 2018/831**of 5 June 2018****amending Regulation (EU) No 10/2011 on plastic materials and articles intended to come into contact with food****(Text with EEA relevance)**

THE EUROPEAN COMMISSION,

Having regard to the Treaty on the Functioning of the European Union,

Having regard to Regulation (EC) No 1935/2004 of the European Parliament and of the Council of 27 October 2004 on materials and articles intended to come into contact with food and repealing Directives 80/590/EEC and 89/109/EEC ⁽¹⁾, and in particular Article 5(1)(a), (d), (e), (h) and (i), Article 11(3) and Article 12(6) thereof,

Whereas:

- (1) Annex I to Commission Regulation (EU) No 10/2011 ⁽²⁾ establishes a Union list of authorised substances which may be used in plastic materials and articles intended to come into contact with food.
- (2) Since the last amendment to Regulation (EU) No 10/2011, the European Food Safety Authority ('the Authority') has published further scientific opinions on particular substances that may be used in food contact materials ('FCM') as well as on the permitted use of already authorised substances. In order to ensure that Regulation (EU) No 10/2011 reflects the most recent findings of the Authority, that Regulation should be amended.
- (3) The Authority has adopted opinions re-evaluating perchlorate contamination in foods and human dietary exposure to perchlorate ⁽³⁾ ⁽⁴⁾. The substance perchloric acid, salts (perchlorate) (FCM No 822) is included as an additive or polymer production aid in Table 1 of Annex I to Regulation (EU) No 10/2011. A specific migration limit (SML) of 0,05 mg/kg applies to that substance on the basis of the conventional dietary exposure assumption from food contact materials that 1 kg of food is consumed daily by a person of 60 kg body weight. In re-evaluations of perchlorate, the Authority established a Tolerable Daily Intake (TDI) of 0,3 µg/kg body weight per day and noted that both the short and long term exposure to perchlorate of young population groups from all food sources exceeded the TDI whereas the short and long term exposure of the adult population was at the level of the TDI. To account for this, the SML should be calculated on the basis of the TDI and a conventional allocation factor of 10 % of the TDI from FCM should be applied. Consequently, the SML of 0,05 mg/kg for perchlorate should be lowered to 0,002 mg/kg to ensure that migration of perchlorate from plastic FCM does not endanger human health.
- (4) The Authority adopted a favourable scientific opinion ⁽⁵⁾ on the use of the substance phosphorous acid, mixed 2,4-bis(1,1-dimethylpropyl)phenyl and 4-(1,1-dimethylpropyl)phenyl triesters (FCM substance No 974 and CAS No 939402-02-5). This substance is authorised with a migration limit of 5 mg/kg food. On the basis of new scientific evidence the Authority concluded that this substance is not of a safety concern for the consumer if its specific migration limit is increased from 5 to 10 mg/kg food, where the other existing restrictions are still met. Therefore the migration limit of this substance should be increased from 5 to 10 mg/kg, provided the other restrictions are retained.
- (5) The Authority adopted a favourable scientific opinion ⁽⁶⁾ on the use of the substance 1,2,3,4-tetrahydro-naphthalene-2,6-dicarboxylic acid, dimethyl ester (FCM substance No 1066 and CAS No 23985-75-3). The Authority concluded that the substance is not of a safety concern for the consumer if used as a co-monomer for the manufacture of a polyester layer intended to be used as an inner layer in a plastic multilayer material intended for contact with foods for which food simulants A, B, C and/or D1 are assigned in Table 2 of Annex III to Regulation (EU) No 10/2011. The migration of the sum of the substance and its dimers (cyclic and open chain) should not exceed 0,05 mg/kg food. That monomer should therefore be included in the Union list of authorised substances with the restriction that these specifications should be met.

⁽¹⁾ OJ L 338, 13.11.2004, p. 4.

⁽²⁾ Commission Regulation (EU) No 10/2011 of 14 January 2011 on plastic materials and articles intended to come into contact with food (OJ L 12, 15.1.2011, p. 1).

⁽³⁾ *EFSA Journal* 2017;15(10):5043.

⁽⁴⁾ *EFSA Journal* 2014;12(10):3869.

⁽⁵⁾ *EFSA Journal* 2017;15(5):4841.

⁽⁶⁾ *EFSA Journal* 2017;15(5):4840.

- (6) The Authority adopted a favourable scientific opinion ⁽¹⁾ on the use of the substance [3-(2,3-epoxypropoxy) propyl]trimethoxy silane (FCM substance No 1068, CAS No 2530-83-8). The Authority concluded that although the substance has genotoxic potential, it is not of safety concern due to its low exposure, if any, when used as a component of sizing agents to treat glass fibres imbedded in low diffusivity plastics such as in polyethylene terephthalate (PET), polycarbonate (PC), polybutylene terephthalate (PBTP), thermoset polyesters, and epoxy bisphenol vinyl ester intended for single and repeated use with long-term storage at room temperature, short-term repeated contact at increased or high temperature and for all foods. As some of the reaction products of the substance containing the epoxy function may also have a genotoxic potential, the residues of the substance and of each of the reaction products in the treated glass fibres should not be detectable at 10 µg/kg for the substance and 60 µg/kg for each of the reaction products (hydrolysed monomers and epoxy-containing cyclic dimer, trimer and tetramer).
- (7) Annex I to Regulation (EU) No 10/2011 should therefore be amended accordingly.
- (8) The measures provided for in this Regulation are in accordance with the opinion of the Standing Committee on Plants, Animals, Food and Feed,

HAS ADOPTED THIS REGULATION:

Article 1

Annex I to Regulation (EU) No 10/2011 is amended in accordance with the Annex to this Regulation.

Article 2

Plastic materials and articles complying with Regulation (EU) No 10/2011 as applicable before the entry into force of this Regulation, may be placed on the market until 26 June 2019 and may remain on the market until exhaustion of stocks.

Article 3

This Regulation shall enter into force on the twentieth day following that of its publication in *the Official Journal of the European Union*.

This Regulation shall be binding in its entirety and directly applicable in all Member States.

Done at Brussels, 5 June 2018.

For the Commission
The President
Jean-Claude JUNCKER

⁽¹⁾ *EFSA Journal* 2017;15(10):5014.

ANNEX

Annex I to Regulation (EU) No 10/2011 is amended as follows:

(1) in point 1, Table 1 is amended as follows:

(a) the entries concerning FCM substances No 822 and No 974 are replaced by the following:

'822	71938		Perchloric acid, salts	yes	no	no	0,002			(4)
'974	74050	939402-02-5	phosphorous acid, mixed 2,4-bis(1,1-dimethylpropyl)phenyl and 4-(1,1-dimethylpropyl)phenyl triesters	yes	no	yes	10		SML expressed as the sum of the phosphite and phosphate forms of the substance, 4-tert-amylphenol and 2,4-di-tert-amylphenol. The migration of 2,4-di-tert-amylphenol shall not exceed 1 mg/kg food.'	

(b) the following entries are added in numerical order of the FCM substance numbers:

'1066		23985-75-3	1,2,3,4-tetrahydronaphtalene-2,6-dicarboxylic acid, dimethyl ester	no	yes	no	0,05		Only to be used as a co-monomer in the manufacture of a polyester non-food contact layer in a plastic multilayer material, which is to be used only in contact with foods for which food simulants A, B, C and/or D1 are assigned in Table 2 of Annex III. The specific migration limit in column 8 refers to the sum of the substance and of its dimers (cyclic and open chain).	
1068		2530-83-8	[3-(2,3-epoxypropoxy)propyl]trimethoxy silane	yes	no	no			Only to be used as a component of a sizing agent to treat glass fibres to be embedded in glass-fibre-reinforced low diffusivity plastics (polyethylene terephthalate (PET), polycarbonate (PC), polybutylene terephthalate (PBT), thermoset polyesters and epoxy bisphenol vinyl ester) in contact with all foodstuffs. In treated glass fibres, residues of the substance must not be detectable at 0,01 mg/kg for the substance and 0,06 mg/kg for each of the reaction products (hydrolysed monomers and epoxy-containing cyclic dimer, trimer and tetramer).'	

COMMISSION REGULATION (EU) 2018/832**of 5 June 2018****amending Annexes II, III and V to Regulation (EC) No 396/2005 of the European Parliament and of the Council as regards maximum residue levels for cyantraniliprole, cymoxanil, deltamethrin, difenoconazole, fenamidone, flubendiamide, fluopicolide, folpet, fosetyl, mandestrobin, mepiquat, metazachlor, propamocarb, propargite, pyrimethanil, sulfoxaflor and trifloxystrobin in or on certain products****(Text with EEA relevance)**

THE EUROPEAN COMMISSION,

Having regard to the Treaty on the Functioning of the European Union,

Having regard to Regulation (EC) No 396/2005 of the European Parliament and of the Council of 23 February 2005 on maximum residue levels of pesticides in or on food and feed of plant and animal origin and amending Council Directive 91/414/EEC ⁽¹⁾, and in particular Article 14(1)(a) and Article 18(4) thereof,

Whereas:

- (1) For cyantraniliprole, cymoxanil, deltamethrin, fenamidone, folpet, mandestrobin, mepiquat, metazachlor, propamocarb, pyrimethanil, sulfoxaflor and trifloxystrobin, maximum residue levels (MRLs) were set in Annex II to Regulation (EC) No 396/2005. For difenoconazole, flubendiamide, fluopicolide and fosetyl, MRLs were set in Part A of Annex III to that Regulation. For propargite, MRLs were set in Annex V to that Regulation.
- (2) On 11 July 2015, Codex Alimentarius Commission adopted Codex maximum residue limits (CXLs) for fenamidone ⁽²⁾.
- (3) In accordance with Article 5(3) of Regulation (EC) No 178/2002 of the European Parliament and of the Council ⁽³⁾, where international standards exist or their completion is imminent, they are to be taken into consideration in the development or adaptation of food law, except where such standards or relevant parts would be an ineffective or inappropriate means for the fulfilment of the legitimate objectives of food law or where there is a scientific justification, or where they would result in a different level of protection from the one determined as appropriate in the Union. Moreover, in accordance with point (e) of Article 13 of that Regulation, the Union is to promote consistency between international technical standards and food law while ensuring that the high level of protection adopted in the Union is not reduced.
- (4) The Union presented a reservation to the Codex Committee on Pesticides Residues on the CXLs proposed for the following pesticide/product combinations: fenamidone (flowerhead brassicas; fruiting vegetables other than cucurbits).
- (5) CXLs for fenamidone, which are not listed in recital 4, should therefore be included in Regulation (EC) No 396/2005 as MRLs except where they relate to products which are not set out in Annex I to that Regulation or where they are set at a lower level than the current MRLs. Those CXLs are safe for consumers in the Union ⁽⁴⁾.
- (6) In the context of a procedure for the authorisation of the use of a plant protection product containing the active substance cymoxanil on beans without pods, an application was submitted in accordance with Article 6(1) of Regulation (EC) No 396/2005 for modification of the existing MRLs.
- (7) As regards deltamethrin, such an application was submitted for kale. As regards difenoconazole, such an application was submitted for 'other flowering brassica', Brussels sprouts, escaroles, rocket, 'spinaches and similar leaves', witloof and rhubarb. As regards fluopicolide, such an application was submitted for chards. As regards folpet, such an application was submitted for apples and pears. As regards fosetyl, such an application was submitted for pome fruits, peaches and potatoes. As regards mandestrobin, such an application was submitted for apricots, cherries, peaches and plums. As regards metazachlor, such an application was submitted for Chinese cabbage. As regards propamocarb, such an application was submitted for chards. As regards pyrimethanil, such

an application was submitted for cucurbits with edible peel. As regards sulfoxaflor, such an application was submitted for grape leaves and globe artichokes. As regards trifloxystrobin, such an application was submitted for 'other small fruits and berries', 'lettuces and salad plants', purslanes, beans without pods, peas and pulses.

- (8) In accordance with Article 6(2) and (4) of Regulation (EC) No 396/2005 applications were submitted for flubendiamide used in the United States on apricots, peaches, plums and soyabeans, for disodium phosphonate used in the United States on tree nuts (except coconuts) and for propargite used in Brazil on oranges and India on tea. The applicants claim that the authorised uses of those substances on such crops in the respective exporting countries lead to residues exceeding the MRLs contained in Regulation (EC) No 396/2005 and that higher MRLs are necessary to avoid trade barriers for the importation of those crops.
- (9) In accordance with Article 53 of Regulation (EC) No 1107/2009 of the European Parliament and of the Council ⁽⁵⁾, on 8 August 2017 the United Kingdom informed the Commission that it has authorised the placing on the market of a plant protection product containing the active substance cyantraniliprole to be used on blackberries and raspberries, due to an unexpected outbreak of *Drosophila suzukii*. On 13 September 2017, in accordance with Article 53 the United Kingdom informed the Commission of an authorisation of a plant protection product containing the active substance cyantraniliprole for the use on leeks due to an unexpected outbreak of *Thrips tabaci*, *Frankliniella occidentalis*, *Delia antiqua* and *Phytomyza gymnostoma*. Such authorisations appeared a necessary measure, because the outbreak of those pests constituted a danger that could not be contained by any other reasonable means. The United Kingdom has notified the authorisations to the other Member States, the Commission and the European Food Safety Authority ('the Authority') in accordance with Article 18(4) of Regulation (EC) No 396/2005 and submitted applications with a view to setting temporary MRLs for those crops.
- (10) In accordance with Article 53 of Regulation (EC) No 1107/2009, on 19 September 2017 Greece informed the Commission that it has authorised the placing on the market of a plant protection product containing the active substance mepiquat to be used on cotton as a plant growth regulator. Such authorisation appeared a necessary measure to avoid losses in yield. Greece has notified the authorisation to the other Member States, the Commission and the Authority in accordance with Article 18(4) of Regulation (EC) No 396/2005 and submitted an application with a view to setting a temporary MRL for cotton seeds.
- (11) In accordance with Article 8 of Regulation (EC) No 396/2005 those applications were evaluated by the Member States concerned and the evaluation reports were forwarded to the Commission.
- (12) The Authority assessed the applications and the evaluation reports, examining in particular the risks to the consumer and, where relevant, to animals and gave reasoned opinions on the proposed MRLs ⁽⁶⁾. The Authority forwarded those opinions to the applicants, the Commission and the Member States and made them available to the public.
- (13) The Authority concluded in its reasoned opinion that, as regards the use of deltamethrin on kale, the risk assessment is affected by non-standard uncertainties. However, considering the low contribution of kale to the overall dietary exposure, it is appropriate to set the MRL at 0,15 mg/kg.
- (14) As regards trifloxystrobin, the applicant submitted the missing information on analytical methods for products of animal origin and made the reference standard for CGA321113 commercially available.
- (15) As regards the use of flubendiamide on soyabeans, the current MRL is set at 0,25 mg/kg in the exporting country. Considering that the highest residue measured in supervised field trials is slightly above that value, it is appropriate to set the MRL at a rounded value of 0,3 mg/kg.
- (16) As regards the use of cyantraniliprole on blackberries, raspberries and leeks, MRLs should be set as temporary valid until 30 June 2021.
- (17) As regards the use of mepiquat on cotton, the MRL should be set for cotton seeds as temporary valid until 30 June 2021.
- (18) As regards all other applications, the Authority concluded that all requirements with respect to data were met and that the modifications to the MRLs requested by the applicants were acceptable with regard to consumer

safety on the basis of a consumer exposure assessment for 27 specific European consumer groups. The Authority took into account the most recent information on the toxicological properties of the substances. Neither the lifetime exposure to these substances via consumption of all food products that may contain them, nor the short-term exposure due to high consumption of the relevant products showed that there is a risk that the acceptable daily intake or the acute reference dose is exceeded.

- (19) Based on the reasoned opinions of the Authority and taking into account the factors relevant to the matter under consideration, the appropriate modifications to the MRLs fulfil the requirements of Article 14(2) of Regulation (EC) No 396/2005.
- (20) Regulation (EC) No 396/2005 should therefore be amended accordingly.
- (21) The measures provided for in this Regulation are in accordance with the opinion of the Standing Committee on Plants, Animals, Food and Feed,

HAS ADOPTED THIS REGULATION:

Article 1

Annexes II, III and V to Regulation (EC) No 396/2005 are amended in accordance with the Annex to this Regulation.

Article 2

This Regulation shall enter into force on the twentieth day following that of its publication in the *Official Journal of the European Union*.

This Regulation shall be binding in its entirety and directly applicable in all Member States.

Done at Brussels, 5 June 2018.

For the Commission
The President
Jean-Claude JUNCKER

⁽¹⁾ OJ L 70, 16.3.2005, p. 1.

⁽²⁾ ftp://ftp.fao.org/codex/reports/reports_2015/REP15_PRE.pdf
Joint FAO/WHO food standards programme Codex Alimentarius Commission. Appendices III and IV. Thirty-Eight Session. Geneva, Switzerland, 6-11 July 2015.

⁽³⁾ Regulation (EC) No 178/2002 of the European Parliament and of the Council of 28 January 2002 laying down the general principles and requirements of food law, establishing the European Food Safety Authority and laying down procedures in matters of food safety (OJ L 31, 1.2.2002, p. 1).

⁽⁴⁾ Scientific support for preparing an EU position for the 46th Session of the Codex Committee on Pesticide Residues (CCPR). *EFSA Journal* 2014;12(7):3737 [182 pp.].

⁽⁵⁾ Regulation (EC) No 1107/2009 of the European Parliament and of the Council of 21 October 2009 concerning the placing of plant protection products on the market and repealing Council Directives 79/117/EEC and 91/414/EEC (OJ L 309, 24.11.2009, p. 1).

- (6) EFSA scientific reports available online: <http://www.efsa.europa.eu>:
Reasoned opinion on the setting of maximum residue levels for cyantraniliprole in raspberries and blackberries. *EFSA Journal* 2017;15(11):5061 [24 pp].
Reasoned opinion on the setting of maximum residue levels for cyantraniliprole in leeks. *EFSA Journal* 2018;16(1):5124 [24 pp].
Reasoned opinion on the modification of the existing maximum residue level for cymoxanil in beans without pods. *EFSA Journal* 2017;15(11):5066 [19 pp].
Reasoned opinion on the modification of the existing maximum residue level for deltamethrin in kale. *EFSA Journal* 2018;16(1):4683 [28 pp].
Reasoned opinion on the modification of the existing maximum residue levels for difenoconazole in various crops. *EFSA Journal* 2018;16(1):5143 [28 pp].
Reasoned opinion on the setting of import tolerances for flubendiamide in apricots, peaches, nectarines, plums and soya beans. *EFSA Journal* 2018;16(1):5128 [31 pp].
Reasoned opinion on the modification of the existing maximum residue level for fluopicolide in chards. *EFSA Journal* 2018;16(1):5135 [21 pp].
Reasoned opinion on the Modification of the existing maximum residue levels for folpet in apples and pears. *EFSA Journal* 2017;15(10):5041 [21 pp].
Reasoned opinion on the modification of the existing maximum residue levels for fosetyl-Al in tree nuts, pome fruit, peach and potato. *EFSA Journal* 2018;16(2):5161 [36 pp].
Reasoned opinion on the modification of the existing maximum residue levels for mandestrobin in apricots, cherries, peaches/nectarines and plums. *EFSA Journal* 2018;16(1):5148 [22 pp].
Reasoned opinion on the setting of maximum residue levels for mepiquat chloride in cotton. *EFSA Journal* 2018;16(2):5162 [25 pp].
Reasoned opinion on the modification of the existing maximum residue level for metazachlor in Chinese cabbage. *EFSA Journal* 2018;16(1):5127 [20 pp].
Reasoned opinion on the modification of the existing maximum residue level for propamocarb in chards/beet leaves. *EFSA Journal* 2017;15(11):5055 [22 pp].
Reasoned opinion on the setting of import tolerances for propargite in citrus fruits and tea. *EFSA Journal* 2018;16(2):5193 [25 pp].
Reasoned opinion on the modification of the existing maximum residue level for pyrimethanil in cucurbits with edible peel. *EFSA Journal* 2018;16(2):5145 [20 pp].
Reasoned opinion on the modification of the existing maximum residue levels for sulfoxaflor in grape leaves and similar species, and globe artichokes. *EFSA Journal* 2017;15(11):5070 [23 pp].
Reasoned opinion on the modification of the existing maximum residue levels for trifloxystrobin in various crops. *EFSA Journal* 2018;16(1):5154 [33 pp].
-

ANNEX

Annexes II, III and V to Regulation (EC) No 396/2005 are amended as follows:

(1) Annex II is amended as follows:

(a) The columns for cyantraniliprole, cymoxanil, deltamethrin, fenamidone, folpet, mandestrobin, mepiquat, metazachlor, propamocarb, pyrimethanil, sulfoxaflor and trifloxystrobin are replaced by the following:

'Pesticide residues and maximum residue levels (mg/kg)

Code number	Groups and examples of individual products to which the MRLs apply (*)	Cyantraniliprole	Cymoxanil	Deltamethrin (cis-deltamethrin) (F)	Fenamidone	Folpet (sum of folpet and phthalimide, expressed as folpet) (R)	Mandestrobin	Mepiquat (sum of mepiquat and its salts, expressed as mepiquat chloride)	Metazachlor (Sum of metabolites 479M04, 479M08 and 479M16, expressed as metazachlor) (R)	Propamocarb (Sum of propamocarb and its salts, expressed as propamocarb) (R)	Pyrimethanil (R)	Sulfoxaflor (sum of isomers)	Trifloxystrobin (F) (R)
(1)	(2)	(3)	(4)	(5)	(6)	(7)	(8)	(9)	(10)	(11)	(12)	(13)	(14)
0100000	FRUITS, FRESH or FROZEN; TREE NUTS								0,02 (*)	0,01 (*)			
0110000	Citrus fruits	0,9	0,01 (*)	0,04 (+)	0,01 (*)	0,03 (*)	0,01 (*)	0,02 (*)			8		0,5
0110010	Grapefruits											0,15	
0110020	Oranges											0,8	
0110030	Lemons											0,4	
0110040	Limes											0,01 (*)	
0110050	Mandarins											0,8	
0110990	Others (2)											0,01 (*)	
0120000	Tree nuts	0,04	0,01 (*)	0,02 (*) (+)	0,01 (*)	0,07 (*)	0,01 (*)	0,05 (*)				0,02 (*)	0,02
0120010	Almonds										0,2		
0120020	Brazil nuts										0,02 (*)		
0120030	Cashew nuts										0,02 (*)		
0120040	Chestnuts										0,02 (*)		
0120050	Coconuts										0,02 (*)		

(1)	(2)	(3)	(4)	(5)	(6)	(7)	(8)	(9)	(10)	(11)	(12)	(13)	(14)
0120060	Hazelnuts/cobnuts										0,02 (*)		
0120070	Macadamias										0,02 (*)		
0120080	Pecans										0,02 (*)		
0120090	Pine nut kernels										0,02 (*)		
0120100	Pistachios										0,2		
0120110	Walnuts										0,02 (*)		
0120990	Others (2)										0,02 (*)		
0130000	Pome fruits	0,8	0,01 (*)	(+)	0,01 (*)		0,01 (*)	0,02 (*)			15		0,7
0130010	Apples			0,2		0,3						0,4	
0130020	Pears			0,1		0,3						0,4	
0130030	Quinces			0,1		0,03 (*)						0,3	
0130040	Medlars			0,1		0,03 (*)						0,3	
0130050	Loquats/Japanese medlars			0,1		0,03 (*)						0,3	
0130990	Others (2)			0,1		0,03 (*)						0,3	
0140000	Stone fruits		0,01 (*)	(+)	0,01 (*)	0,03 (*)		0,02 (*)					3
0140010	Apricots	0,01 (*)		0,15			2				10	0,5	
0140020	Cherries (sweet)	6		0,1			3				4	1,5	
0140030	Peaches	1,5		0,15			2				10	0,5	
0140040	Plums	0,7		0,07			0,5				2	0,5	
0140990	Others (2)	0,01 (*)		0,01 (*)			0,01 (*)				0,01 (*)	0,01 (*)	
0150000	Berries and small fruits			(+)			0,01 (*)	0,02 (*)					
0151000	(a) <i>grapes</i>	1,5	0,3 (+)	0,2	0,6						5	2	3
0151010	Table grapes					6							
0151020	Wine grapes					20							
0152000	(b) <i>strawberries</i>	0,5	0,01 (*)	0,2	0,04	5 (+)					5	0,5	1
0153000	(c) <i>cane fruits</i>		0,01 (*)	0,1	0,01 (*)	0,03 (*)						0,01 (*)	3
0153010	Blackberries	0,9 (+)									15		
0153020	Dewberries	0,01 (*)									0,01 (*)		

(1)	(2)	(3)	(4)	(5)	(6)	(7)	(8)	(9)	(10)	(11)	(12)	(13)	(14)
0213000	(c) <i>other root and tuber vegetables except sugar beets</i>			0,02 (*) (+)									
0213010	Beetroots				0,15	0,03 (*)			0,02 (*)	0,01 (*)	0,01 (*)	0,03	0,02
0213020	Carrots				0,2	0,03 (*)			0,02 (*)	0,01 (*)	1	0,05	0,1
0213030	Celeriacs/turnip rooted celeriacs				0,15	0,03 (*)			0,02 (*)	0,09	0,01 (*)	0,03	0,03
0213040	Horseradishes				0,15	0,03 (*)			0,15 (+)	0,01 (*)	0,01 (*)	0,03	0,08
0213050	Jerusalem artichokes				0,15	0,03 (*)			0,02 (*)	0,01 (*)	0,01 (*)	0,03	0,01 (*)
0213060	Parsnips				0,15	0,03 (*)			0,02 (*)	0,01 (*)	0,01 (*)	0,03	0,04
0213070	Parsley roots/Hamburg roots parsley				0,15	0,03 (*)			0,02 (*)	0,01 (*)	0,01 (*)	0,03	0,08
0213080	Radishes				0,15	0,04 (*) (+)			0,4 (+)	3	0,01 (*)	0,03	0,08
0213090	Salsifies				0,15	0,04 (*) (+)			0,02 (*)	0,01 (*)	0,01 (*)	0,03	0,04
0213100	Swedes/rutabagas				0,15	0,03 (*)			0,15 (+)	0,01 (*)	0,01 (*)	0,03	0,04
0213110	Turnips				0,15	0,03 (*)			0,15 (+)	0,01 (*)	0,01 (*)	0,03	0,04
0213990	Others (2)				0,15	0,03 (*)			0,02 (*)	0,01 (*)	0,01 (*)	0,03	0,01 (*)
0220000	Bulb vegetables		0,01 (*)	(+)		0,03 (*)		0,02 (*)					
0220010	Garlic	0,05		0,06	0,2				0,06 (*)	2	0,01 (*)	0,01 (*)	0,01 (*)
0220020	Onions	0,05		0,06	0,2				0,02 (*)	2	0,2	0,01 (*)	0,01 (*)
0220030	Shallots	0,05		0,06	0,2				0,02 (*)	2	0,01 (*)	0,01 (*)	0,01 (*)
0220040	Spring onions/green onions and Welsh onions	8		0,3	3				0,02 (*)	30	3	0,7	0,1
0220990	Others (2)	0,05		0,01 (*)	0,01 (*)				0,02 (*)	0,01 (*)	0,01 (*)	0,01 (*)	0,01 (*)
0230000	Fruiting vegetables							0,02 (*)	0,02 (*)				
0231000	(a) <i>Solanaceae and Malvaceae</i>												
0231010	Tomatoes	1	0,4	0,07 (+)	1	5 (+)				4	1	0,3	0,7
0231020	Sweet peppers/bell peppers	1,5	0,01 (*)	0,2 (+)	1 (+)	0,03 (*)				3	2	0,4	0,4 (+)
0231030	Aubergines/eggplants	1	0,3	0,4 (+)	1	0,03 (*)				4	1	0,3	0,7

(1)	(2)	(3)	(4)	(5)	(6)	(7)	(8)	(9)	(10)	(11)	(12)	(13)	(14)
0231040	Okra/lady's fingers	1,5	0,01 (*)	0,01 (*)	0,01 (*)	0,03 (*)				0,01 (*)	0,01 (*)	0,01 (*)	0,01 (*)
0231990	Others (2)	1,5	0,01 (*)	0,01 (*)	0,01 (*)	0,03 (*)				0,01 (*)	0,01 (*)	0,01 (*)	0,01 (*)
0232000	(b) <i>cucurbits with edible peel</i>	0,4	0,08	0,2 (+)	0,2	0,03 (*)				5	0,8	0,5	0,3
0232010	Cucumbers												(+)
0232020	Gherkins												(+)
0232030	Courgettes												
0232990	Others (2)												
0233000	(c) <i>cucurbits with inedible peel</i>	0,3	0,4	(+)	0,2					5	0,01 (*)	0,5	0,3
0233010	Melons			0,02 (*)		0,4 (+)							
0233020	Pumpkins			0,2		0,03 (*)							
0233030	Watermelons			0,02 (*)		0,03 (*)							
0233990	Others (2)			0,02 (*)		0,03 (*)							
0234000	(d) <i>sweet corn</i>	0,01 (*)	0,01 (*)	0,02 (*) (+)	0,01 (*)	0,03 (*)				0,01 (*)	0,01 (*)	0,01 (*)	0,01 (*)
0239000	(e) <i>other fruiting vegetables</i>		0,01 (*)	0,01 (*)	0,01 (*)	0,03 (*)				0,01 (*)	0,01 (*)	0,01 (*)	0,01 (*)
0240000	Brassica vegetables (excluding brassica roots and brassica baby leaf crops)		0,01 (*)	(+)		0,03 (*)		0,02 (*)			0,01 (*)		
0241000	(a) <i>flowering brassica</i>	2		0,1					0,4 (+)				0,5
0241010	Broccoli				5					3		3	
0241020	Cauliflowers				0,01 (*)					10 (+)		0,04	
0241990	Others (2)				0,01 (*)					0,01 (*)		0,01 (*)	
0242000	(b) <i>head brassica</i>	2											
0242010	Brussels sprouts			0,01 (*)	0,01 (*)				0,06 (*)	2		0,01 (*)	0,6
0242020	Head cabbages			0,1	0,9				0,4 (+)	0,7		0,4	0,5
0242990	Others (2)			0,01 (*)	0,01 (*)				0,02 (*)	0,01 (*)		0,01 (*)	0,01 (*)
0243000	(c) <i>leafy brassica</i>	0,01 (*)											3 (+)
0243010	Chinese cabbages/pe-tsai			0,2	55				0,6	20		2	

(1)	(2)	(3)	(4)	(5)	(6)	(7)	(8)	(9)	(10)	(11)	(12)	(13)	(14)
0243020	Kales			0,15	0,01 (*)				0,2 (+)	20		0,01 (*)	
0243990	Others (2)			0,01 (*)	0,01 (*)				0,2 (+)	0,01 (*)		0,01 (*)	
0244000	(d) <i>kohlrabies</i>	2		0,01 (*)	0,01 (*)				0,3 (+)	0,3		0,01 (*)	0,01 (*)
0250000	Leaf vegetables, herbs and edible flowers												
0251000	(a) <i>lettuces and salad plants</i>			(+)		0,03 (*)		0,02 (*)	0,02 (*)				15
0251010	Lamb's lettuces/corn salads	0,01 (*)	0,01 (*)	2	40					20 (+)	0,01 (*)	0,01 (*)	
0251020	Lettuces	5	0,03 (+)	0,5	30					40	20	4	
0251030	Escaroles/broad-leaved end-ives	0,01 (*)	0,01 (*)	0,1	40					20 (+)	20	0,01 (*)	
0251040	Cresses and other sprouts and shoots	0,01 (*)	0,01 (*)	2	40					20 (+)	0,01 (*)	0,01 (*)	
0251050	Land cresses	0,01 (*)	0,01 (*)	2	40					20 (+)	0,01 (*)	0,01 (*)	
0251060	Roman rocket/rucola	0,01 (*)	0,01 (*)	2	40					30	0,01 (*)	0,01 (*)	
0251070	Red mustards	0,01 (*)	0,01 (*)	2	40					20 (+)	0,01 (*)	0,01 (*)	
0251080	Baby leaf crops (including brassica species)	0,01 (*)	0,01 (*)	2	40					20 (+)	20	0,01 (*)	
0251990	Others (2)	0,01 (*)	0,01 (*)	0,01 (*)	0,01 (*)					0,01 (*)	0,01 (*)	0,01 (*)	
0252000	(b) <i>spinaches and similar leaves</i>	0,01 (*)		0,01 (*) (+)	60	0,03 (*)		0,02 (*)	0,02 (*)	40	0,01 (*)		
0252010	Spinaches		1 (+)									6	0,01 (*)
0252020	Purslanes		0,01 (*)									0,01 (*)	15
0252030	Chards/beet leaves		0,01 (*)									0,01 (*)	0,01 (*)
0252990	Others (2)		0,01 (*)									0,01 (*)	0,01 (*)
0253000	(c) <i>grape leaves and similar species</i>	0,01 (*)	0,01 (*)	2 (+)	0,01 (*)	0,03 (*)		0,02 (*)	0,02 (*)	0,01 (*)	0,01 (*)	2	0,01 (*)
0254000	(d) <i>watercresses</i>	0,01 (*)	0,01 (*)	2 (+)	0,01 (*)	0,03 (*)		0,02 (*)	0,02 (*)	0,01 (*)	0,01 (*)	0,01 (*)	0,01 (*)
0255000	(e) <i>witloofs/Belgian endives</i>	0,01 (*)	0,01 (*)	0,02 (*) (+)	0,01 (*)	0,03 (*)		0,02 (*)	0,02 (*)	15	0,01 (*)	0,01 (*)	0,01 (*)
0256000	(f) <i>herbs and edible flowers</i>	0,02 (*)	0,02 (*)	2 (+)	60	0,06 (*)		0,05 (*)	0,1 (*)	30 (+)	20		15 (+)
0256010	Chervil											0,02 (*)	
0256020	Chives											0,02 (*)	

(1)	(2)	(3)	(4)	(5)	(6)	(7)	(8)	(9)	(10)	(11)	(12)	(13)	(14)
0256030	Celery leaves											1,5	
0256040	Parsley											0,02 (*)	
0256050	Sage											0,02 (*)	
0256060	Rosemary											0,02 (*)	
0256070	Thyme											0,02 (*)	
0256080	Basil and edible flowers											0,02 (*)	
0256090	Laurel/bay leaves											0,02 (*)	
0256100	Tarragon											0,02 (*)	
0256990	Others (2)											0,02 (*)	
0260000	Legume vegetables			0,2 (+)		0,03 (*)		0,02 (*)	0,02 (*)			0,01 (*)	
0260010	Beans (with pods)	1,5	0,05 (*)		0,8					0,1	3		1 (+)
0260020	Beans (without pods)	0,3	0,05 (*)		0,15					0,01 (*)	0,01 (*)		0,09
0260030	Peas (with pods)	2	0,15		0,01 (*)					0,01 (*)	3		1,5
0260040	Peas (without pods)	0,3	0,05 (*)		0,01 (*)					0,01 (*)	0,2		0,09
0260050	Lentils	0,01 (*)	0,01 (*)		0,01 (*)					0,01 (*)	0,01 (*)		0,01 (*)
0260990	Others (2)	0,01 (*)	0,01 (*)		0,01 (*)					0,01 (*)	0,01 (*)		0,01 (*)
0270000	Stem vegetables					0,03 (*)		0,02 (*)					
0270010	Asparagus	0,01 (*)	0,01 (*)	0,01 (*) (+)	0,01 (*)				0,02 (*)	0,01 (*)	0,01 (*)	0,01 (*)	0,05
0270020	Cardoons	0,01 (*)	0,01 (*)	0,01 (*)	40				0,02 (*)	0,01 (*)	0,01 (*)	0,01 (*)	0,01 (*)
0270030	Celeries	15	0,01 (*)	0,3	40				0,02 (*)	0,01 (*)	0,01 (*)	1,5	1
0270040	Florence fennels	0,01 (*)	0,01 (*)	0,3	4				0,02 (*)	0,01 (*)	0,01 (*)	0,01 (*)	0,01 (*)
0270050	Globe artichokes	0,1	0,01 (*)	0,2 (+)	0,01 (*)				0,06 (*)	0,01 (*)	0,01 (*)	0,06	0,3
0270060	Leeks	0,6 (+)	0,02	0,3 (+)	0,3				0,06 (*)	20	4	0,01 (*)	0,7
0270070	Rhubarbs	0,01 (*)	0,01 (*)	0,3	4				0,02 (*)	0,01 (*)	0,01 (*)	0,01 (*)	0,01 (*)
0270080	Bamboo shoots	0,01 (*)	0,01 (*)	0,01 (*)	0,01 (*)				0,02 (*)	0,01 (*)	0,01 (*)	0,01 (*)	0,01 (*)
0270090	Palm hearts	0,01 (*)	0,01 (*)	0,01 (*)	0,01 (*)				0,02 (*)	0,01 (*)	0,01 (*)	0,01 (*)	0,01 (*)
0270990	Others (2)	0,01 (*)	0,01 (*)	0,01 (*)	0,01 (*)				0,02 (*)	0,01 (*)	0,01 (*)	0,01 (*)	0,01 (*)
0280000	Fungi, mosses and lichens	0,01 (*)	0,01 (*)		0,01 (*)	0,03 (*)			0,02 (*)	0,01 (*)	0,01 (*)	0,01 (*)	0,01 (*)
0280010	Cultivated fungi			0,05 (+)				0,09 (+)					

(1)	(2)	(3)	(4)	(5)	(6)	(7)	(8)	(9)	(10)	(11)	(12)	(13)	(14)
0280020	Wild fungi			0,01 (*)				0,02 (*)					
0280990	Mosses and lichens			0,01 (*)				0,02 (*)					
0290000	Algae and prokaryotes organisms	0,01 (*)	0,01 (*)	0,01 (*)	0,01 (*)	0,03 (*)		0,02 (*)	0,02 (*)	0,01 (*)	0,01 (*)	0,01 (*)	0,01 (*)
0300000	PULSES		0,05 (*) (+)	(+)	0,01 (*)	0,07 (*)	0,01 (*)	0,02 (*)	0,02 (*)	0,01 (*)			0,2
0300010	Beans	0,3		0,6							0,5	0,3	
0300020	Lentils	0,01 (*)		1							0,5	0,01 (*)	
0300030	Peas	0,01 (*)		1							0,5	0,01 (*)	
0300040	Lupins/lupini beans	0,01 (*)		1							0,5	0,01 (*)	
0300990	Others (2)	0,01 (*)		0,02 (*)							0,01 (*)	0,01 (*)	
0400000	OILSEEDS AND OIL FRUITS		0,01 (*)				0,01 (*)			0,01 (*)	0,02 (*)		
0401000	Oilseeds					0,07 (*)							
0401010	Linseeds	0,01 (*)		0,02 (*) (+)	0,01 (*)			0,05 (*)	0,06 (*)			0,02 (*)	0,01 (*)
0401020	Peanuts/groundnuts	0,01 (*)		0,02 (*)	0,01 (*)			0,05 (*)	0,02 (*)			0,02 (*)	0,02
0401030	Poppy seeds	0,01 (*)		0,2 (+)	0,01 (*)			0,05 (*)	0,02 (*)			0,02 (*)	0,01 (*)
0401040	Sesame seeds	0,01 (*)		0,02 (*) (+)	0,01 (*)			0,05 (*)	0,02 (*)			0,02 (*)	0,01 (*)
0401050	Sunflower seeds	0,5		0,05 (*) (+)	0,02 (*)			0,05 (*)	0,06 (*)			0,02 (*)	0,01 (*)
0401060	Rapeseeds/canola seeds	0,8		0,2	0,01 (*)			4 (+)	0,06 (*)			0,15	0,01 (*)
0401070	Soyabeans	0,4		0,02 (*)	0,01 (*)			0,05 (*)	0,02 (*)			0,3	0,05
0401080	Mustard seeds	0,01 (*)		0,07 (*) (+)	0,01 (*)			0,05 (*)	0,06 (*)			0,02 (*)	0,01 (*)
0401090	Cotton seeds	1,5		0,02 (*) (+)	0,02 (*)			5 (+)	0,02 (*)			0,4	0,01 (*)
0401100	Pumpkin seeds	0,01 (*)		0,02 (*) (+)	0,01 (*)			0,05 (*)	0,02 (*)			0,02 (*)	0,01 (*)
0401110	Safflower seeds	0,01 (*)		0,02 (*) (+)	0,01 (*)			0,05 (*)	0,02 (*)			0,02 (*)	0,01 (*)
0401120	Borage seeds	0,01 (*)		0,2 (+)	0,01 (*)			0,05 (*)	0,06 (*)			0,02 (*)	0,01 (*)
0401130	Gold of pleasure seeds	0,01 (*)		0,07 (*) (+)	0,01 (*)			0,05 (*)	0,06 (*)			0,02 (*)	0,01 (*)
0401140	Hemp seeds	0,01 (*)		0,2 (+)	0,01 (*)			0,05 (*)	0,02 (*)			0,02 (*)	0,01 (*)
0401150	Castor beans	0,01 (*)		0,2 (+)	0,01 (*)			0,05 (*)	0,02 (*)			0,02 (*)	0,01 (*)
0401990	Others (2)	0,01 (*)		0,02 (*)	0,01 (*)			0,05 (*)	0,02 (*)			0,02 (*)	0,01 (*)

(1)	(2)	(3)	(4)	(5)	(6)	(7)	(8)	(9)	(10)	(11)	(12)	(13)	(14)
0900000	SUGAR PLANTS		0,01 (*)		0,01 (*)	0,03 (*)	0,01 (*)	0,02 (*)	0,02 (*)	0,01 (*)	0,01 (*)	0,01 (*)	
0900010	Sugar beet roots	0,05		0,02 (*) (+)									0,02
0900020	Sugar canes	0,01 (*)		0,01 (*)									0,01 (*)
0900030	Chicory roots	0,05		0,04 (+)									0,01 (*)
0900990	Others (2)	0,01 (*)		0,01 (*)									0,01 (*)
1000000	PRODUCTS OF ANIMAL ORIGIN -TERRESTRIAL ANIMALS					0,05 (*)					(+)		
1010000	Commodities from		0,01 (*)		0,01 (*)		0,01 (*)						
1011000	(a) <i>swine</i>			(+)				0,05 (*)			0,1 (*)		0,04
1011010	Muscle	0,2		0,03					0,05 (*)	0,01 (+)		0,3	(+)
1011020	Fat	0,5		0,5					0,05 (*)	0,01 (+)		0,1	(+)
1011030	Liver	1,5		0,03 (*)					0,2	0,1 (+)		0,6	(+)
1011040	Kidney	1,5		0,03 (*)					0,05 (*)	0,02 (+)		0,6	(+)
1011050	Edible offals (other than liver and kidney)	1,5		0,5					0,05 (*)	0,1		0,6	
1011990	Others (2)	0,01		0,02 (*)					0,05 (*)	0,01 (*)		0,01 (*)	
1012000	(b) <i>bovine</i>			(+)									
1012010	Muscle	0,2		0,03				0,09	0,05 (*)	0,01 (+)	0,1 (*)	0,3	0,04 (+)
1012020	Fat	0,5		0,5				0,06	0,05 (*)	0,01 (+)	0,1 (*)	0,1	0,06 (+)
1012030	Liver	1,5		0,03 (*)				0,5	0,3	0,2 (+)	0,1 (*)	0,6	0,07 (+)
1012040	Kidney	1,5		0,03 (*)				0,8	0,05 (*)	0,05 (+)	0,2	0,6	0,04 (+)
1012050	Edible offals (other than liver and kidney)	1,5		0,5				0,8	0,05 (*)	0,2	0,1 (*)	0,6	0,07
1012990	Others (2)	0,01		0,02 (*)				0,05 (*)	0,05 (*)	0,01 (*)	0,1 (*)	0,01 (*)	0,02 (*)
1013000	(c) <i>sheep</i>			(+)									
1013010	Muscle	0,2		0,03				0,09	0,05 (*)	0,01 (+)	0,1 (*)	0,3	0,04 (+)
1013020	Fat	0,5		0,5				0,06	0,05 (*)	0,01 (+)	0,1 (*)	0,1	0,06 (+)
1013030	Liver	1,5		0,03 (*)				0,5	0,3	0,2 (+)	0,1 (*)	0,6	0,07 (+)

(1)	(2)	(3)	(4)	(5)	(6)	(7)	(8)	(9)	(10)	(11)	(12)	(13)	(14)
1013040	Kidney	1,5		0,03 (*)				0,8	0,05 (*)	0,05 (+)	0,2	0,6	0,04 (+)
1013050	Edible offals (other than liver and kidney)	1,5		0,5				0,8	0,05 (*)	0,2	0,1 (*)	0,6	0,07
1013990	Others (2)	0,01		0,02 (*)				0,05 (*)	0,05 (*)	0,01 (*)	0,1 (*)	0,01 (*)	0,02 (*)
1014000	(d) <i>goat</i>			(+)									
1014010	Muscle	0,2		0,03				0,09	0,05 (*)	0,01 (+)	0,1 (*)	0,3	0,04 (+)
1014020	Fat	0,5		0,5				0,06	0,05 (*)	0,01 (+)	0,1 (*)	0,1	0,06 (+)
1014030	Liver	1,5		0,03 (*)				0,5	0,3	0,2 (+)	0,1 (*)	0,6	0,07 (+)
1014040	Kidney	1,5		0,03 (*)				0,8	0,05 (*)	0,05 (+)	0,2	0,6	0,04 (+)
1014050	Edible offals (other than liver and kidney)	1,5		0,5				0,8	0,05 (*)	0,2	0,1 (*)	0,6	0,07
1014990	Others (2)	0,01		0,02 (*)				0,05 (*)	0,05 (*)	0,01 (*)	0,1 (*)	0,01 (*)	0,02 (*)
1015000	(e) <i>equine</i>												
1015010	Muscle	0,2		0,03				0,09	0,05 (*)	0,01	0,1 (*)	0,3	0,04
1015020	Fat	0,5		0,5				0,06	0,05 (*)	0,01	0,1 (*)	0,1	0,06
1015030	Liver	1,5		0,03 (*)				0,5	0,3	0,2	0,1 (*)	0,6	0,07
1015040	Kidney	1,5		0,03 (*)				0,8	0,05 (*)	0,05	0,2	0,6	0,04
1015050	Edible offals (other than liver and kidney)	1,5		0,5				0,8	0,05 (*)	0,2	0,1 (*)	0,6	0,07
1015990	Others (2)	0,01		0,02 (*)				0,05 (*)	0,05 (*)	0,01 (*)	0,1 (*)	0,01 (*)	0,02 (*)
1016000	(f) <i>poultry</i>			(+)				0,05 (*)	0,05 (*)		0,05 (*)		0,04
1016010	Muscle	0,02		0,02 (*)		(+)				0,02 (+)		0,1	(+)
1016020	Fat	0,04		0,1		(+)				0,01 (+)		0,03	(+)
1016030	Liver	0,15		0,02 (*)		(+)				0,05 (+)		0,3	(+)
1016040	Kidney	0,15		0,02 (*)						0,01 (*)		0,3	
1016050	Edible offals (other than liver and kidney)	0,15		0,02 (*)						0,05		0,3	
1016990	Others (2)	0,01		0,02 (*)						0,01 (*)		0,01 (*)	

(1)	(2)	(3)	(4)	(5)	(6)	(7)	(8)	(9)	(10)	(11)	(12)	(13)	(14)
1200000	PRODUCTS OR PART OF PRODUCTS EXCLUSIVELY USED FOR ANIMAL FEED PRODUCTION (8)												
1300000	PROCESSED FOOD PRODUCTS (9)												

(*) Limit of analytical determination

(^a) For the complete list of products of plant and animal origin to which MRLs apply, reference should be made to Annex I.

(F) = Fat soluble

Cyantraniliprole

(+) MRL applicable until 30 June 2021, after that date 0,01 (*) mg/kg will be applicable unless modified by a Regulation.

0153010 Blackberries

The new value of 0,01 (*) mg/kg will be applicable from 01 July 2021.

0153030 Raspberries (red and yellow)

The new value of 0,01 (*) mg/kg will be applicable from 01 July 2021.

0270060 Leeks

The new value of 0,01 (*) mg/kg will be applicable from 01 July 2021.

(+) The applicable maximum residue level for horseradish (*Armoracia rusticana*) in the spice group (code 0840040) is the one set for horseradish (*Armoracia rusticana*) in the Vegetables category, root and tuber vegetables group (code 0213040) taking into account changes in the levels by processing (drying) according to Art. 20 (1) of Regulation (EC) No 396/2005.

0840040 Horseradish (11)

Cymoxanil

(+) The European Food Safety Authority identified some information on residue trials as unavailable. When re-viewing the MRL, the Commission will take into account the information referred to in the first sentence, if it is submitted by 8 October 2018, or, if that information is not submitted by that date, the lack of it.

0151000 (a) grapes

0251020 Lettuces

0252010 Spinaches

(+) The European Food Safety Authority identified some information on storage stability as unavailable. When re-viewing the MRL, the Commission will take into account the information referred to in the first sentence, if it is submitted by 8 October 2018, or, if that information is not submitted by that date, the lack of it.

0300000 PULSES

(+) The European Food Safety Authority identified some information on storage stability and analytical methods as unavailable. When re-viewing the MRL, the Commission will take into account the information referred to in the first sentence, if it is submitted by 8 October 2018, or, if that information is not submitted by that date, the lack of it.

0631000 (a) flowers

0700000 HOPS

- (+) The applicable maximum residue level for horseradish (*Armoracia rusticana*) in the spice group (code 0840040) is the one set for horseradish (*Armoracia rusticana*) in the Vegetables category, root and tuber vegetables group (code 0213040) taking into account changes in the levels by processing (drying) according to Art. 20 (1) of Regulation (EC) No 396/2005.

0840040 Horseradish (11)

Deltamethrin (cis-deltamethrin) (F)

- (+) The European Food Safety Authority identified some information on analytical methods and residue trials as unavailable. When re-viewing the MRL, the Commission will take into account the information referred to in the first sentence, if it is submitted by 18 October 2018, or, if that information is not submitted by that date, the lack of it.

0110000 Citrus fruits

0120000 Tree nuts

0130000 Pome fruits

0140000 Stone fruits

0150000 Berries and small fruits

0161030 Table olives

0162010 Kiwi fruits (green, red, yellow)

- (+) The European Food Safety Authority identified some information on analytical methods, processing trials and residue trials as unavailable. When re-viewing the MRL, the Commission will take into account the information referred to in the first sentence, if it is submitted by 18 October 2018, or, if that information is not submitted by that date, the lack of it.

0211000 (a) potatoes

- (+) The European Food Safety Authority identified some information on analytical methods and residue trials as unavailable. When re-viewing the MRL, the Commission will take into account the information referred to in the first sentence, if it is submitted by 18 October 2018, or, if that information is not submitted by that date, the lack of it.

0213000 (c) other root and tuber vegetables except sugar beets

0220000 Bulb vegetables

0231010 Tomatoes

0231020 Sweet peppers/bell peppers

0231030 Aubergines/eggplants

0232000 (b) cucurbits with edible peel

0233000 (c) cucurbits with inedible peel

0234000 (d) sweet corn

0240000 Brassica vegetables (excluding brassica roots and brassica baby leaf crops)

0251000 (a) lettuces and salad plants

0252000 (b) spinaches and similar leaves

0253000 (c) grape leaves and similar species

0254000 (d) watercresses

0255000 (e) witloofs/Belgian endives

0256000 (f) herbs and edible flowers

0260000 Legume vegetables

- (+) The European Food Safety Authority identified some information on analytical methods as unavailable. When re-viewing the MRL, the Commission will take into account the information referred to in the first sentence, if it is submitted by 18 October 2018, or, if that information is not submitted by that date, the lack of it.

0270010 Asparagus

- (+) The European Food Safety Authority identified some information on analytical methods and residue trials as unavailable. When re-viewing the MRL, the Commission will take into account the information referred to in the first sentence, if it is submitted by 18 October 2018, or, if that information is not submitted by that date, the lack of it.

0270050 Globe artichokes

0270060 Leeks

0280010 Cultivated fungi

- (+) The European Food Safety Authority identified some information on analytical methods, storage conditions of samples and residue trials as unavailable. When re-viewing the MRL, the Commission will take into account the information referred to in the first sentence, if it is submitted by 18 October 2018, or, if that information is not submitted by that date, the lack of it.

0300000 PULSES

- (+) The European Food Safety Authority identified some information on analytical methods and residue trials as unavailable. When re-viewing the MRL, the Commission will take into account the information referred to in the first sentence, if it is submitted by 18 October 2018, or, if that information is not submitted by that date, the lack of it.

0401010 Linseeds

0401030 Poppy seeds

0401040 Sesame seeds

0401050 Sunflower seeds

0401080 Mustard seeds

0401090 Cotton seeds

0401100 Pumpkin seeds

0401110 Safflower seeds

0401120 Borage seeds

0401130 Gold of pleasure seeds

0401140 Hemp seeds

0401150 Castor beans

0402010 Olives for oil production

- (+) The European Food Safety Authority identified some information on analytical methods, storage conditions of samples and residue trials as unavailable. When re-viewing the MRL, the Commission will take into account the information referred to in the first sentence, if it is submitted by 18 October 2018, or, if that information is not submitted by that date, the lack of it.

0500000 CEREALS

- (+) The European Food Safety Authority identified some information on analytical methods and residue trials as unavailable. When re-viewing the MRL, the Commission will take into account the information referred to in the first sentence, if it is submitted by 18 October 2018, or, if that information is not submitted by that date, the lack of it.

0610000 Teas

0631000 (a) flowers

0632000 (b) leaves and herbs

0633000 (c) roots

0820000 Fruit spices

0840010 Liquorice

0840020 Ginger (10)

0840030 Turmeric/curcuma

- (+) The applicable maximum residue level for horseradish (*Armoracia rusticana*) in the spice group (code 0840040) is the one set for horseradish (*Armoracia rusticana*) in the Vegetables category, root and tuber vegetables group (code 0213040) taking into account changes in the levels by processing (drying) according to Art. 20 (1) of Regulation (EC) No 396/2005.

0840040 Horseradish (11)

- (+) The European Food Safety Authority identified some information on analytical methods and residue trials as unavailable. When re-viewing the MRL, the Commission will take into account the information referred to in the first sentence, if it is submitted by 18 October 2018, or, if that information is not submitted by that date, the lack of it.

0840990 Others (2)

0850000 Bud spices

0860010 Saffron

0900010 Sugar beet roots

0900030 Chicory roots

- (+) The European Food Safety Authority identified some information on analytical methods and livestock metabolism as unavailable. When re-viewing the MRL, the Commission will take into account the information referred to in the first sentence, if it is submitted by 18 October 2018, or, if that information is not submitted by that date, the lack of it.

1011000 (a) swine

- (+) The European Food Safety Authority identified some information on analytical methods, livestock metabolism and livestock feeding studies as unavailable. When re-viewing the MRL, the Commission will take into account the information referred to in the first sentence, if it is submitted by 18 October 2018, or, if that information is not submitted by that date, the lack of it.

1012000 (b) bovine

1013000 (c) sheep

1014000 (d) goat

1016000 (f) poultry

1020000 Milk

1030000 Birds eggs

Fenamidone

(+) The following MRL applies to Chilli peppers: 4 mg/kg.

0231020 Sweet peppers/bell peppers

(+) The applicable maximum residue level for horseradish (*Armoracia rusticana*) in the spice group (code 0840040) is the one set for horseradish (*Armoracia rusticana*) in the Vegetables category, root and tuber vegetables group (code 0213040) taking into account changes in the levels by processing (drying) according to Art. 20 (1) of Regulation (EC) No 396/2005.

0840040 Horseradish (11)**Folpet (sum of folpet and phtalimide, expressed as folpet) (R)**

(R) = The residue definition differs for the following combinations pesticide-code number:

code 1000000 except 1040000: Phtalimide, expressed as folpet

(+) The European Food Safety Authority identified some information on residue trials as unavailable. When re-viewing the MRL, the Commission will take into account the information referred to in the first sentence, if it is submitted by 6 February 2018, or, if that information is not submitted by that date, the lack of it.

0152000 (b) strawberries

(+) The European Food Safety Authority identified some information on analytical methods and storage stability as unavailable. When re-viewing the MRL, the Commission will take into account the information referred to in the first sentence, if it is submitted by 6 February 2018, or, if that information is not submitted by that date, the lack of it.

0161030 Table olives

(+) The European Food Safety Authority identified some information on residue trials and analytical methods as unavailable. When re-viewing the MRL, the Commission will take into account the information referred to in the first sentence, if it is submitted by 6 February 2018, or, if that information is not submitted by that date, the lack of it.

0211000 (a) potatoes

(+) The European Food Safety Authority identified some information on analytical methods as unavailable. When re-viewing the MRL, the Commission will take into account the information referred to in the first sentence, if it is submitted by 6 February 2018, or, if that information is not submitted by that date, the lack of it.

0213080 Radishes**0213090 Salsifies**

(+) The European Food Safety Authority identified some information on residue trials and analytical methods as unavailable. When re-viewing the MRL, the Commission will take into account the information referred to in the first sentence, if it is submitted by 6 February 2018, or, if that information is not submitted by that date, the lack of it.

0231010 Tomatoes**0233010 Melons**

(+) The European Food Safety Authority identified some information on analytical methods and storage stability as unavailable. When re-viewing the MRL, the Commission will take into account the information referred to in the first sentence, if it is submitted by 6 February 2018, or, if that information is not submitted by that date, the lack of it.

0402010 Olives for oil production

(+) The European Food Safety Authority identified some information on analytical methods as unavailable. When re-viewing the MRL, the Commission will take into account the information referred to in the first sentence, if it is submitted by 6 February 2018, or, if that information is not submitted by that date, the lack of it.

0500010 Barley

- (+) The European Food Safety Authority identified some information on residue trials and analytical methods as unavailable. When re-viewing the MRL, the Commission will take into account the information referred to in the first sentence, if it is submitted by 6 February 2018, or, if that information is not submitted by that date, the lack of it.

0500090 Wheat

- (+) The European Food Safety Authority identified some information on analytical methods as unavailable. When re-viewing the MRL, the Commission will take into account the information referred to in the first sentence, if it is submitted by 6 February 2018, or, if that information is not submitted by that date, the lack of it.

0700000 HOPS

- (+) The applicable maximum residue level for horseradish (*Armoracia rusticana*) in the spice group (code 0840040) is the one set for horseradish (*Armoracia rusticana*) in the Vegetables category, root and tuber vegetables group (code 0213040) taking into account changes in the levels by processing (drying) according to Art. 20 (1) of Regulation (EC) No 396/2005.

0840040 Horseradish (11)

- (+) The European Food Safety Authority identified some information on the nature and magnitude of residues as unavailable. When re-viewing the MRL, the Commission will take into account the information referred to in the first sentence, if it is submitted by 6 February 2018, or, if that information is not submitted by that date, the lack of it.

1016010 Muscle

1016020 Fat

1016030 Liver

1030000 Birds eggs

Mandestrobin

- (+) The applicable maximum residue level for horseradish (*Armoracia rusticana*) in the spice group (code 0840040) is the one set for horseradish (*Armoracia rusticana*) in the Vegetables category, root and tuber vegetables group (code 0213040) taking into account changes in the levels by processing (drying) according to Art. 20 (1) of Regulation (EC) No 396/2005.

0840040 Horseradish (11)

Mepiquat (sum of mepiquat and its salts, expressed as mepiquat chloride)

- (+) Temporary MRL valid until 31 December 2018 as monitoring data show that cross-contamination of untreated cultivated fungi may occur with straw lawfully treated with mepiquat. This cross-contamination may not be fully avoidable in all cases. After this date the MRL will be 0,02 (*) mg/kg unless further modified by a Regulation in light of new information provided by 30 April 2018 at the latest.

0280010 Cultivated fungi

The new value of 0,02 (*) mg/kg will be applicable from 01 January 2019.

- (+) The European Food Safety Authority identified some information on residue trials, as unavailable. When re-viewing the MRL, the Commission will take into account the information referred to in the first sentence, if it is submitted by 29 June 2018, or, if that information is not submitted by that date, the lack of it.

0401060 Rapeseeds/canola seeds

- (+) MRL applicable until 30 June 2021, after that date 0,05 (*) mg/kg will be applicable unless modified by a Regulation.

0401090 Cotton seeds

The new value of 0,05 (*) mg/kg will be applicable from 01 July 2021.

- (+) The applicable maximum residue level for horseradish (*Armoracia rusticana*) in the spice group (code 0840040) is the one set for horseradish (*Armoracia rusticana*) in the Vegetables category, root and tuber vegetables group (code 0213040) taking into account changes in the levels by processing (drying) according to Art. 20 (1) of Regulation (EC) No 396/2005.

0840040 Horseradish (11)

Metazachlor (Sum of metabolites 479M04, 479M08 and 479M16, expressed as metazachlor) (R)

(R) = The residue definition differs for the following combinations pesticide-code number:

Metazachlor — code 1000000, except 1040000: Sum of metazachlor and its metabolites containing the 2,6-dimethylaniline moiety, expressed as metazachlor

(+) The European Food Safety Authority identified some information on residue trials as unavailable. When re-viewing the MRL, the Commission will take into account the information referred to in the first sentence, if it is submitted by 14 March 2017, or, if that information is not submitted by that date, the lack of it.

0213040 Horseradishes

0213080 Radishes

0213100 Swedes/rutabagas

0213110 Turnips

0241000 (a) flowering brassica

(+) The applicable maximum residue level for horseradish (*Armoracia rusticana*) in the spice group (code 0840040) is the one set for horseradish (*Armoracia rusticana*) in the Vegetables category, root and tuber vegetables group (code 0213040) taking into account changes in the levels by processing (drying) according to Art. 20 (1) of Regulation (EC) No 396/2005.

0840040 Horseradish (11)

Propamocarb (Sum of propamocarb and its salts, expressed as propamocarb) (R)

(R) = The residue definition differs for the following combinations pesticide-code number: code 1000000 except 1016000, 1030000 and 1040000: N-oxide propamocarb; codes 1016000 and 1030000: N-desmethyl propamocarb

(+) The European Food Safety Authority identified some information on residue trials as unavailable. When re-viewing the MRL, the Commission will take into account the information referred to in the first sentence, if it is submitted by 22 March 2016, or, if that information is not submitted by that date, the lack of it.

0241020 Cauliflowers

0251010 Lamb's lettuces/corn salads

0251030 Escaroles/broad-leaved endives

0251040 Cresses and other sprouts and shoots

0251050 Land cresses

0251070 Red mustards

0251080 Baby leaf crops (including brassica species)

0256000 (f) herbs and edible flowers

(+) The applicable maximum residue level for horseradish (*Armoracia rusticana*) in the spice group (code 0840040) is the one set for horseradish (*Armoracia rusticana*) in the Vegetables category, root and tuber vegetables group (code 0213040) taking into account changes in the levels by processing (drying) according to Art. 20 (1) of Regulation (EC) No 396/2005.

0840040 Horseradish (11)

(+) The European Food Safety Authority identified some information on analytical methods as unavailable. When re-viewing the MRL, the Commission will take into account the information referred to in the first sentence, if it is submitted by 22 March 2016, or, if that information is not submitted by that date, the lack of it.

1011010 Muscle

1011020 Fat

1011030 Liver

1011040 Kidney

- (+) The European Food Safety Authority identified some information on analytical methods and a feeding study as unavailable. When re-viewing the MRL, the Commission will take into account the information referred to in the first sentence, if it is submitted by 22 March 2016 or, if that information is not submitted by that date, the lack of it.

1012010 Muscle

1012020 Fat

1012030 Liver

1012040 Kidney

1013010 Muscle

1013020 Fat

1013030 Liver

1013040 Kidney

1014010 Muscle

1014020 Fat

1014030 Liver

1014040 Kidney

- (+) The European Food Safety Authority identified some information on analytical methods and the hen feeding study as unavailable. When re-viewing the MRL, the Commission will take into account the information referred to in the first sentence, if it is submitted by 22 March 2016 or, if that information is not submitted by that date, the lack of it.

1016010 Muscle

1016020 Fat

1016030 Liver

- (+) The European Food Safety Authority identified some information on analytical methods and a feeding study as unavailable. When re-viewing the MRL, the Commission will take into account the information referred to in the first sentence, if it is submitted by 22 March 2016 or, if that information is not submitted by that date, the lack of it.

1020000 Milk

- (+) The European Food Safety Authority identified some information on analytical methods and the hen feeding study as unavailable. When re-viewing the MRL, the Commission will take into account the information referred to in the first sentence, if it is submitted by 22 March 2016 or, if that information is not submitted by that date, the lack of it.

1030000 Birds eggs

Pyrimethanil (R)

- (R) = The residue definition differs for the following combinations pesticide-code number:

Pyrimethanil - code 1020000: Sum of pyrimethanil and 2-anilino-4,6-dimethylpyrimidine-5-ol, expressed as pyrimethanil

Pyrimethanil - codes 1011000/1012000/1013000/1014000/1015000/1017000: Sum of pyrimethanil and 2-(4-hydroxyanilino)-4,6-dimethylpyrimidine, expressed as pyrimethanil

- (+) The European Food Safety Authority identified some information on crop metabolism with seed treatment as unavailable. When re-viewing the MRL, the Commission will take into account the information referred to in the first sentence, if it is submitted by 5 February 2016, or, if that information is not submitted by that date, the lack of it.

0500010 Barley

0500050 Oat

0500070 Rye

0500090 Wheat

- (+) The applicable maximum residue level for horseradish (*Armoracia rusticana*) in the spice group (code 0840040) is the one set for horseradish (*Armoracia rusticana*) in the Vegetables category, root and tuber vegetables group (code 0213040) taking into account changes in the levels by processing (drying) according to Art. 20 (1) of Regulation (EC) No 396/2005.

0840040 Horseradish (11)

- (+) The European Food Safety Authority identified some information on analytical methods as unavailable. When re-viewing the MRL, the Commission will take into account the information referred to in the first sentence, if it is submitted by 5 February 2016, or, if that information is not submitted by that date, the lack of it.

1000000 PRODUCTS OF ANIMAL ORIGIN -TERRESTRIAL ANIMALS

Sulfoxaflor (sum of isomers)

- (+) The applicable maximum residue level for horseradish (*Armoracia rusticana*) in the spice group (code 0840040) is the one set for horseradish (*Armoracia rusticana*) in the Vegetables category, root and tuber vegetables group (code 0213040) taking into account changes in the levels by processing (drying) according to Art. 20 (1) of Regulation (EC) No 396/2005.

0840040 Horseradish (11)

Trifloxystrobin (F) (R)

- (R) = The residue definition differs for the following combinations pesticide-code number:

Trifloxystrobin- code 1000000 except 1040000: the sum of trifloxystrobin and its metabolite (E, E)-methoxyimino- {2-[1-(3-trifluoromethyl-phenyl)-ethylideneamino-oxymethyl]-phenyl}-acetic acid (CGA 321113)

- (+) The European Food Safety Authority identified some information on residue trials as unavailable. When re-viewing the MRL, the Commission will take into account the information referred to in the first sentence, if it is submitted by 23 July 2017, or, if that information is not submitted by that date, the lack of it.

0162030 Passionfruits/maracujas

0231020 Sweet peppers/bell peppers

0232010 Cucumbers

0232020 Gherkins

0243000 (c) leafy brassica

0256000 (f) herbs and edible flowers

0260010 Beans (with pods)

0500050 Oat

- (+) The applicable maximum residue level for horseradish (*Armoracia rusticana*) in the spice group (code 0840040) is the one set for horseradish (*Armoracia rusticana*) in the Vegetables category, root and tuber vegetables group (code 0213040) taking into account changes in the levels by processing (drying) according to Art. 20 (1) of Regulation (EC) No 396/2005.

0840040 Horseradish (11)

(b) The following column for propargite is added:

'Pesticide residues and maximum residue levels (mg/kg)

Code number	Groups and examples of individual products to which the MRLs apply ^(a)	Propargite (F)
(1)	(2)	(3)
0100000	FRUITS, FRESH or FROZEN; TREE NUTS	
0110000	Citrus fruits	
0110010	Grapefruits	0,01 (*)
0110020	Oranges	4
0110030	Lemons	0,01 (*)
0110040	Limes	0,01 (*)
0110050	Mandarins	0,01 (*)
0110990	Others (2)	0,01 (*)
0120000	Tree nuts	0,02 (*)
0120010	Almonds	
0120020	Brazil nuts	
0120030	Cashew nuts	
0120040	Chestnuts	
0120050	Coconuts	
0120060	Hazelnuts/cobnuts	
0120070	Macadamias	
0120080	Pecans	
0120090	Pine nut kernels	
0120100	Pistachios	
0120110	Walnuts	
0120990	Others (2)	
0130000	Pome fruits	0,01 (*)
0130010	Apples	
0130020	Pears	
0130030	Quinces	
0130040	Medlars	
0130050	Loquats/Japanese medlars	
0130990	Others (2)	
0140000	Stone fruits	0,01 (*)
0140010	Apricots	
0140020	Cherries (sweet)	
0140030	Peaches	
0140040	Plums	
0140990	Others (2)	

(1)	(2)	(3)
0150000	Berries and small fruits	0,01 (*)
0151000	(a) <i>grapes</i>	
0151010	Table grapes	
0151020	Wine grapes	
0152000	(b) <i>strawberries</i>	
0153000	(c) <i>cane fruits</i>	
0153010	Blackberries	
0153020	Dewberries	
0153030	Raspberries (red and yellow)	
0153990	Others (2)	
0154000	(d) <i>other small fruits and berries</i>	
0154010	Blueberries	
0154020	Cranberries	
0154030	Currants (black, red and white)	
0154040	Gooseberries (green, red and yellow)	
0154050	Rose hips	
0154060	Mulberries (black and white)	
0154070	Azaroles/Mediterranean medlars	
0154080	Elderberries	
0154990	Others (2)	
0160000	Miscellaneous fruits with	0,01 (*)
0161000	(a) <i>edible peel</i>	
0161010	Dates	
0161020	Figs	
0161030	Table olives	
0161040	Kumquats	
0161050	Carambolas	
0161060	Kaki/Japanese persimmons	
0161070	Jambuls/jambolans	
0161990	Others (2)	
0162000	(b) <i>inedible peel, small</i>	
0162010	Kiwi fruits (green, red, yellow)	
0162020	Litchis/lychees	
0162030	Passionfruits/maracujas	
0162040	Prickly pears/cactus fruits	
0162050	Star apples/cainitos	
0162060	American persimmons/Virginia kaki	
0162990	Others (2)	

(1)	(2)	(3)
0163000	(c) <i>inedible peel, large</i>	
0163010	Avocados	
0163020	Bananas	
0163030	Mangoes	
0163040	Papayas	
0163050	Granate apples/pomegranates	
0163060	Cherimoyas	
0163070	Guavas	
0163080	Pineapples	
0163090	Breadfruits	
0163100	Durians	
0163110	Soursops/guanabanas	
0163990	Others (2)	
0200000	VEGETABLES, FRESH or FROZEN	
0210000	Root and tuber vegetables	0,01 (*)
0211000	(a) <i>potatoes</i>	
0212000	(b) <i>tropical root and tuber vegetables</i>	
0212010	Cassava roots/manioc	
0212020	Sweet potatoes	
0212030	Yams	
0212040	Arrowroots	
0212990	Others (2)	
0213000	(c) <i>other root and tuber vegetables except sugar beets</i>	
0213010	Beetroots	
0213020	Carrots	
0213030	Celeriacs/turnip rooted celeries	
0213040	Horseradishes	
0213050	Jerusalem artichokes	
0213060	Parsnips	
0213070	Parsley roots/Hamburg roots parsley	
0213080	Radishes	
0213090	Salsifies	
0213100	Swedes/rutabagas	
0213110	Turnips	
0213990	Others (2)	
0220000	Bulb vegetables	0,01 (*)
0220010	Garlic	
0220020	Onions	
0220030	Shallots	
0220040	Spring onions/green onions and Welsh onions	
0220990	Others (2)	

(1)	(2)	(3)
0230000	Fruiting vegetables	0,01 (*)
0231000	(a) <i>Solanaceae and Malvaceae</i>	
0231010	Tomatoes	
0231020	Sweet peppers/bell peppers	
0231030	Aubergines/eggplants	
0231040	Okra/lady's fingers	
0231990	Others (2)	
0232000	(b) <i>cucurbits with edible peel</i>	
0232010	Cucumbers	
0232020	Gherkins	
0232030	Courgettes	
0232990	Others (2)	
0233000	(c) <i>cucurbits with inedible peel</i>	
0233010	Melons	
0233020	Pumpkins	
0233030	Watermelons	
0233990	Others (2)	
0234000	(d) <i>sweet corn</i>	
0239000	(e) <i>other fruiting vegetables</i>	
0240000	Brassica vegetables (excluding brassica roots and brassica baby leaf crops)	0,01 (*)
0241000	(a) <i>flowering brassica</i>	
0241010	Broccoli	
0241020	Cauliflowers	
0241990	Others (2)	
0242000	(b) <i>head brassica</i>	
0242010	Brussels sprouts	
0242020	Head cabbages	
0242990	Others (2)	
0243000	(c) <i>leafy brassica</i>	
0243010	Chinese cabbages/pe-tsai	
0243020	Kales	
0243990	Others (2)	
0244000	(d) <i>kohlrabies</i>	
0250000	Leaf vegetables, herbs and edible flowers	
0251000	(a) <i>lettuces and salad plants</i>	0,01 (*)
0251010	Lamb's lettuces/corn salads	
0251020	Lettuces	
0251030	Escaroles/broad-leaved endives	
0251040	Cresses and other sprouts and shoots	
0251050	Land cresses	

(1)	(2)	(3)
0251060	Roman rocket/rucola	
0251070	Red mustards	
0251080	Baby leaf crops (including brassica species)	
0251990	Others (2)	
0252000	(b) <i>spinaches and similar leaves</i>	0,01 (*)
0252010	Spinaches	
0252020	Purslanes	
0252030	Chards/beet leaves	
0252990	Others (2)	
0253000	(c) <i>grape leaves and similar species</i>	0,01 (*)
0254000	(d) <i>watercresses</i>	0,01 (*)
0255000	(e) <i>witloofs/Belgian endives</i>	0,01 (*)
0256000	(f) <i>herbs and edible flowers</i>	0,02 (*)
0256010	Chervil	
0256020	Chives	
0256030	Celery leaves	
0256040	Parsley	
0256050	Sage	
0256060	Rosemary	
0256070	Thyme	
0256080	Basil and edible flowers	
0256090	Laurel/bay leaves	
0256100	Tarragon	
0256990	Others (2)	
0260000	Legume vegetables	0,01 (*)
0260010	Beans (with pods)	
0260020	Beans (without pods)	
0260030	Peas (with pods)	
0260040	Peas (without pods)	
0260050	Lentils	
0260990	Others (2)	
0270000	Stem vegetables	0,01 (*)
0270010	Asparagus	
0270020	Cardoons	
0270030	Celeries	
0270040	Florence fennels	
0270050	Globe artichokes	
0270060	Leeks	
0270070	Rhubarbs	
0270080	Bamboo shoots	
0270090	Palm hearts	
0270990	Others (2)	

(1)	(2)	(3)
0280000	Fungi, mosses and lichens	0,01 (*)
0280010	Cultivated fungi	
0280020	Wild fungi	
0280990	Mosses and lichens	
0290000	Algae and prokaryotes organisms	0,01 (*)
0300000	PULSES	0,01 (*)
0300010	Beans	
0300020	Lentils	
0300030	Peas	
0300040	Lupins/lupini beans	
0300990	Others (2)	
0400000	OILSEEDS AND OIL FRUITS	0,02 (*)
0401000	Oilseeds	
0401010	Linseeds	
0401020	Peanuts/groundnuts	
0401030	Poppy seeds	
0401040	Sesame seeds	
0401050	Sunflower seeds	
0401060	Rapeseeds/canola seeds	
0401070	Soyabeans	
0401080	Mustard seeds	
0401090	Cotton seeds	
0401100	Pumpkin seeds	
0401110	Safflower seeds	
0401120	Borage seeds	
0401130	Gold of pleasure seeds	
0401140	Hemp seeds	
0401150	Castor beans	
0401990	Others (2)	
0402000	Oil fruits	
0402010	Olives for oil production	
0402020	Oil palms kernels	
0402030	Oil palms fruits	
0402040	Kapok	
0402990	Others (2)	
0500000	CEREALS	0,01 (*)
0500010	Barley	
0500020	Buckwheat and other pseudocereals	
0500030	Maize/corn	
0500040	Common millet/proso millet	
0500050	Oat	
0500060	Rice	

(1)	(2)	(3)
0500070	Rye	
0500080	Sorghum	
0500090	Wheat	
0500990	Others (2)	
0600000	TEAS, COFFEE, HERBAL INFUSIONS, COCOA AND CAROBS	
0610000	Teas	10
0620000	Coffee beans	0,05 (*)
0630000	Herbal infusions from	0,05 (*)
0631000	(a) <i>flowers</i>	
0631010	Chamomile	
0631020	Hibiscus/roselle	
0631030	Rose	
0631040	Jasmine	
0631050	Lime/linden	
0631990	Others (2)	
0632000	(b) <i>leaves and herbs</i>	
0632010	Strawberry	
0632020	Rooibos	
0632030	Mate/maté	
0632990	Others (2)	
0633000	(c) <i>roots</i>	
0633010	Valerian	
0633020	Ginseng	
0633990	Others (2)	
0639000	(d) <i>any other parts of the plant</i>	
0640000	Cocoa beans	0,05 (*)
0650000	Carobs/Saint John's breads	0,05 (*)
0700000	HOPS	0,05 (*)
0800000	SPICES	
0810000	Seed spices	0,05 (*)
0810010	Anise/aniseed	
0810020	Black caraway/black cumin	
0810030	Celery	
0810040	Coriander	
0810050	Cumin	
0810060	Dill	
0810070	Fennel	

(1)	(2)	(3)
0810080	Fenugreek	
0810090	Nutmeg	
0810990	Others (2)	
0820000	Fruit spices	0,05 (*)
0820010	Allspice/pimento	
0820020	Sichuan pepper	
0820030	Caraway	
0820040	Cardamom	
0820050	Juniper berry	
0820060	Peppercorn (black, green and white)	
0820070	Vanilla	
0820080	Tamarind	
0820990	Others (2)	
0830000	Bark spices	0,05 (*)
0830010	Cinnamon	
0830990	Others (2)	
0840000	Root and rhizome spices	
0840010	Liquorice	0,05 (*)
0840020	Ginger (10)	0,05 (*)
0840030	Turmeric/curcuma	0,05 (*)
0840040	Horseradish (11)	(+)
0840990	Others (2)	0,05 (*)
0850000	Bud spices	0,05 (*)
0850010	Cloves	
0850020	Capers	
0850990	Others (2)	
0860000	Flower pistil spices	0,05 (*)
0860010	Saffron	
0860990	Others (2)	
0870000	Aril spices	0,05 (*)
0870010	Mace	
0870990	Others (2)	
0900000	SUGAR PLANTS	0,01 (*)
0900010	Sugar beet roots	
0900020	Sugar canes	
0900030	Chicory roots	
0900990	Others (2)	

(1)	(2)	(3)
1000000	PRODUCTS OF ANIMAL ORIGIN -TERRESTRIAL ANIMALS	
1010000	Commodities from	0,01 (*)
1011000	(a) <i>swine</i>	
1011010	Muscle	
1011020	Fat	
1011030	Liver	
1011040	Kidney	
1011050	Edible offals (other than liver and kidney)	
1011990	Others (2)	
1012000	(b) <i>bovine</i>	
1012010	Muscle	
1012020	Fat	
1012030	Liver	
1012040	Kidney	
1012050	Edible offals (other than liver and kidney)	
1012990	Others (2)	
1013000	(c) <i>sheep</i>	
1013010	Muscle	
1013020	Fat	
1013030	Liver	
1013040	Kidney	
1013050	Edible offals (other than liver and kidney)	
1013990	Others (2)	
1014000	(d) <i>goat</i>	
1014010	Muscle	
1014020	Fat	
1014030	Liver	
1014040	Kidney	
1014050	Edible offals (other than liver and kidney)	
1014990	Others (2)	
1015000	(e) <i>equine</i>	
1015010	Muscle	
1015020	Fat	
1015030	Liver	
1015040	Kidney	
1015050	Edible offals (other than liver and kidney)	
1015990	Others (2)	
1016000	(f) <i>poultry</i>	
1016010	Muscle	
1016020	Fat	

(1)	(2)	(3)
1016030	Liver	
1016040	Kidney	
1016050	Edible offals (other than liver and kidney)	
1016990	Others (2)	
1017000	(g) <i>other farmed terrestrial animals</i>	
1017010	Muscle	
1017020	Fat	
1017030	Liver	
1017040	Kidney	
1017050	Edible offals (other than liver and kidney)	
1017990	Others (2)	
1020000	Milk	0,01 (*)
1020010	Cattle	
1020020	Sheep	
1020030	Goat	
1020040	Horse	
1020990	Others (2)	
1030000	Birds eggs	0,01 (*)
1030010	Chicken	
1030020	Duck	
1030030	Geese	
1030040	Quail	
1030990	Others (2)	
1040000	Honey and other apiculture products (7)	0,05 (*)
1050000	Amphibians and Reptiles	0,01 (*)
1060000	Terrestrial invertebrate animals	0,01 (*)
1070000	Wild terrestrial vertebrate animals	0,01 (*)
1100000	PRODUCTS OF ANIMAL ORIGIN - FISH, FISHPRODUCTS AND ANY OTHER MARINE AND FRESHWATER FOOD PRODUCTS (8)	
1200000	PRODUCTS OR PART OF PRODUCTS EXCLUSIVELY USED FOR ANIMAL FEED PRODUCTION (8)	
1300000	PROCESSED FOOD PRODUCTS (9)	

(*) Limit of analytical determination

(e) For the complete list of products of plant and animal origin to which MRLs apply, reference should be made to Annex I.

(F) = Fat soluble

Propargite (F)

(+) The applicable maximum residue level for horseradish (*Armoracia rusticana*) in the spice group (code 0840040) is the one set for horseradish (*Armoracia rusticana*) in the Vegetables category, root and tuber vegetables group (code 0213040) taking into account changes in the levels by processing (drying) according to Art. 20 (1) of Regulation (EC) No 396/2005.

0840040 Horseradish (11)

(2) In Part A of Annex III, the columns for difenoconazole, flubendiamide, fluopicolide, and fosetyl are replaced by the following:

Pesticide residues and maximum residue levels (mg/kg)

Code number	Groups and examples of individual products to which the MRLs apply ^(e)	Difenoconazole	Flubendiamide (F)	Fluopicolide	Fosetyl-Al (sum of fosetyl, phosphonic acid and their salts, expressed as fosetyl)
(1)	(2)	(3)	(4)	(5)	(6)
0100000	FRUITS, FRESH or FROZEN; TREE NUTS				
0110000	Citrus fruits	0,6	0,01 (*)	0,01 (*)	75
0110010	Grapefruits				
0110020	Oranges				
0110030	Lemons				
0110040	Limes				
0110050	Mandarins				
0110990	Others (2)				
0120000	Tree nuts	0,05 (*)	0,1	0,01 (*)	
0120010	Almonds				500
0120020	Brazil nuts				500
0120030	Cashew nuts				500
0120040	Chestnuts				500
0120050	Coconuts				2 (*)
0120060	Hazelnuts/cobnuts				500
0120070	Macadamias				500
0120080	Pecans				500
0120090	Pine nut kernels				500
0120100	Pistachios				500
0120110	Walnuts				500
0120990	Others (2)				2 (*)
0130000	Pome fruits	0,8	0,8	0,01 (*)	150
0130010	Apples				
0130020	Pears				
0130030	Quinces				
0130040	Medlars				
0130050	Loquats/Japanese medlars				
0130990	Others (2)				
0140000	Stone fruits			0,01 (*)	
0140010	Apricots	0,7	1,5		2 (*)
0140020	Cherries (sweet)	0,3	1,5		2 (*)
0140030	Peaches	0,5	0,8		50

(1)	(2)	(3)	(4)	(5)	(6)
0140040	Plums	0,5	0,7		2 (*)
0140990	Others (2)	0,1	0,01 (*)		2 (*)
0150000	Berries and small fruits				
0151000	(a) <i>grapes</i>	3	2	2	100
0151010	Table grapes				
0151020	Wine grapes				
0152000	(b) <i>strawberries</i>	0,5	0,2	0,01 (*)	75
0153000	(c) <i>cane fruits</i>		0,01 (*)		
0153010	Blackberries	1,5		3	100
0153020	Dewberries	0,1		0,01 (*)	2 (*)
0153030	Raspberries (red and yellow)	1,5		0,01 (*)	100
0153990	Others (2)	0,1		0,01 (*)	2 (*)
0154000	(d) <i>other small fruits and berries</i>		0,01 (*)	0,01 (*)	2 (*)
0154010	Blueberries	0,1			
0154020	Cranberries	0,1			
0154030	Currants (black, red and white)	0,2			
0154040	Gooseberries (green, red and yellow)	0,1			
0154050	Rose hips	0,1			
0154060	Mulberries (black and white)	0,1			
0154070	Azaroles/Mediterranean medlars	0,8			
0154080	Elderberries	0,1			
0154990	Others (2)	0,1			
0160000	Miscellaneous fruits with		0,01 (*)	0,01 (*)	
0161000	(a) <i>edible peel</i>				2 (*)
0161010	Dates	0,1			
0161020	Figs	0,1			
0161030	Table olives	2			
0161040	Kumquats	0,6			
0161050	Carambolas	0,1			
0161060	Kaki/Japanese persimmons	0,8			
0161070	Jambuls/jambolans	0,1			
0161990	Others (2)	0,1			
0162000	(b) <i>inedible peel, small</i>	0,1			
0162010	Kiwi fruits (green, red, yellow)				150
0162020	Litchis/lychees				2 (*)
0162030	Passionfruits/maracujas				2 (*)
0162040	Prickly pears/cactus fruits				2 (*)
0162050	Star apples/cainitos				2 (*)
0162060	American persimmons/Virginia kaki				2 (*)
0162990	Others (2)				2 (*)

(1)	(2)	(3)	(4)	(5)	(6)
0163000	(c) <i>inedible peel, large</i>				
0163010	Avocados	0,6			50
0163020	Bananas	0,1			2 (*)
0163030	Mangoes	0,1			2 (*)
0163040	Papayas	0,2			2 (*)
0163050	Granate apples/pomegranates	0,1			2 (*)
0163060	Cherimoyas	0,1			2 (*)
0163070	Guavas	0,1			2 (*)
0163080	Pineapples	0,1			50
0163090	Breadfruits	0,1			2 (*)
0163100	Durians	0,1			2 (*)
0163110	Soursops/guanabanas	0,1			2 (*)
0163990	Others (2)	0,1			2 (*)
0200000	VEGETABLES, FRESH or FROZEN				
0210000	Root and tuber vegetables		0,01 (*)		
0211000	(a) <i>potatoes</i>	0,1		0,03	40
0212000	(b) <i>tropical root and tuber vegetables</i>	0,1		0,01	2 (*)
0212010	Cassava roots/manioc				
0212020	Sweet potatoes				
0212030	Yams				
0212040	Arrowroots				
0212990	Others (2)				
0213000	(c) <i>other root and tuber vegetables except sugar beets</i>			0,15	
0213010	Beetroots	0,4			2 (*)
0213020	Carrots	0,4			2 (*)
0213030	Celeriacs/turnip rooted celeries	2			8
0213040	Horseradishes	0,4			2 (*)
0213050	Jerusalem artichokes	0,4			2 (*)
0213060	Parsnips	0,4			2 (*)
0213070	Parsley roots/Hamburg roots parsley	0,4			2 (*)
0213080	Radishes	0,4			25
0213090	Salsifies	0,4			2 (*)
0213100	Swedes/rutabagas	0,4			2 (*)
0213110	Turnips	0,4			2 (*)
0213990	Others (2)	0,4			2 (*)
0220000	Bulb vegetables		0,01 (*)		
0220010	Garlic	0,5		0,3	2 (*)
0220020	Onions	0,5		1	50
0220030	Shallots	0,5		0,3	2 (*)
0220040	Spring onions/green onions and Welsh onions	9		10	30
0220990	Others (2)	0,5		0,01 (*)	2 (*)

(1)	(2)	(3)	(4)	(5)	(6)
0230000	Fruiting vegetables				
0231000	(a) <i>Solanaceae and Malvaceae</i>			1	
0231010	Tomatoes	2	0,2		100
0231020	Sweet peppers/bell peppers	0,8	0,2		130
0231030	Aubergines/eggplants	0,6	0,2		100
0231040	Okra/lady's fingers	0,05 (*)	0,01 (*)		2 (*)
0231990	Others (2)	0,05 (*)	0,01 (*)		2 (*)
0232000	(b) <i>cucurbits with edible peel</i>	0,3	0,15	0,5	75
0232010	Cucumbers				
0232020	Gherkins				
0232030	Courgettes				
0232990	Others (2)				
0233000	(c) <i>cucurbits with inedible peel</i>	0,2	0,06	0,5	75
0233010	Melons				
0233020	Pumpkins				
0233030	Watermelons				
0233990	Others (2)				
0234000	(d) <i>sweet corn</i>	0,05 (*)	0,02	0,01 (*)	5
0239000	(e) <i>other fruiting vegetables</i>	0,05 (*)	0,01 (*)	0,01 (*)	5
0240000	Brassica vegetables (excluding brassica roots and brassica baby leaf crops)				10
0241000	(a) <i>flowering brassica</i>		0,01 (*)	2	
0241010	Broccoli	1			
0241020	Cauliflowers	0,2			
0241990	Others (2)	0,08			
0242000	(b) <i>head brassica</i>				
0242010	Brussels sprouts	0,4	0,01 (*)	0,2	
0242020	Head cabbages	0,3	4	0,2	
0242990	Others (2)	0,3	0,01 (*)	0,01 (*)	
0243000	(c) <i>leafy brassica</i>	2	0,01 (*)		
0243010	Chinese cabbages/pe-tsai			2	
0243020	Kales			2	
0243990	Others (2)			0,1	
0244000	(d) <i>kohlrabies</i>	0,05 (*)	0,01 (*)	0,03	
0250000	Leaf vegetables, herbs and edible flowers				
0251000	(a) <i>lettuces and salad plants</i>				75
0251010	Lamb's lettuces/corn salads	7	0,01 (*)	9	
0251020	Lettuces	4	7	9	
0251030	Escaroles/broad-leaved endives	3	0,01 (*)	1,5	

(1)	(2)	(3)	(4)	(5)	(6)
0251040	Cresses and other sprouts and shoots	4	0,01 (*)	9	
0251050	Land cresses	4	0,01 (*)	9	
0251060	Roman rocket/rucola	3	0,01 (*)	9	
0251070	Red mustards	4	0,01 (*)	9	
0251080	Baby leaf crops (including brassica species)	4	0,01 (*)	9	
0251990	Others (2)	4	0,01 (*)	9	
0252000	(b) <i>spinaches and similar leaves</i>			6	
0252010	Spinaches	3	10		75
0252020	Purslanes	3	0,01 (*)		2 (*)
0252030	Chards/beet leaves	4	0,01 (*)		15
0252990	Others (2)	3	0,01 (*)		2 (*)
0253000	(c) <i>grape leaves and similar species</i>	0,05 (*)	0,01 (*)	0,01 (*)	2 (*)
0254000	(d) <i>watercresses</i>	0,5	0,01 (*)	0,01 (*)	2 (*)
0255000	(e) <i>witloofs/Belgian endives</i>	4	0,01 (*)	0,01 (*)	75
0256000	(f) <i>herbs and edible flowers</i>		0,01 (*)	9	75
0256010	Chervil	10			
0256020	Chives	4			
0256030	Celery leaves	10			
0256040	Parsley	10			
0256050	Sage	4			
0256060	Rosemary	4			
0256070	Thyme	4			
0256080	Basil and edible flowers	10			
0256090	Laurel/bay leaves	4			
0256100	Tarragon	4			
0256990	Others (2)	4			
0260000	Legume vegetables			0,01 (*)	2 (*)
0260010	Beans (with pods)	1	0,5		
0260020	Beans (without pods)	1	0,5		
0260030	Peas (with pods)	1	1,5		
0260040	Peas (without pods)	1	0,01 (*)		
0260050	Lentils	0,05 (*)	0,01 (*)		
0260990	Others (2)	0,05 (*)	0,01 (*)		
0270000	Stem vegetables				
0270010	Asparagus	0,05 (*)	0,01 (*)	0,01 (*)	2 (*)
0270020	Cardoons	7	0,01 (*)	0,01 (*)	2 (*)
0270030	Celeries	7	5	0,01 (*)	2 (*)
0270040	Florence fennels	5	0,01 (*)	0,01 (*)	2 (*)
0270050	Globe artichokes	1	0,01 (*)	0,01 (*)	50
0270060	Leeks	0,6	0,01 (*)	1,5	30
0270070	Rhubarbs	5	0,01 (*)	0,01 (*)	2 (*)

(1)	(2)	(3)	(4)	(5)	(6)
0270080	Bamboo shoots	0,05 (*)	0,01 (*)	0,01 (*)	2 (*)
0270090	Palm hearts	0,05 (*)	0,01 (*)	0,01 (*)	2 (*)
0270990	Others (2)	0,05 (*)	0,01 (*)	0,01 (*)	2 (*)
0280000	Fungi, mosses and lichens	0,05 (*)	0,01 (*)	0,01 (*)	2 (*)
0280010	Cultivated fungi				
0280020	Wild fungi				
0280990	Mosses and lichens				
0290000	Algae and prokaryotes organisms	0,05 (*)	0,01 (*)	0,01 (*)	2 (*)
0300000	PULSES		1	0,01 (*)	2 (*)
0300010	Beans	0,06			
0300020	Lentils	0,06			
0300030	Peas	0,1			
0300040	Lupins/lupini beans	0,06			
0300990	Others (2)	0,06			
0400000	OILSEEDS AND OIL FRUITS			0,01 (*)	2 (*)
0401000	Oilseeds				
0401010	Linseeds	0,2	0,01 (*)		
0401020	Peanuts/groundnuts	0,05 (*)	0,01 (*)		
0401030	Poppy seeds	0,05 (*)	0,01 (*)		
0401040	Sesame seeds	0,05 (*)	0,01 (*)		
0401050	Sunflower seeds	0,05 (*)	0,01 (*)		
0401060	Rapeseeds/canola seeds	0,5	0,01 (*)		
0401070	Soyabeans	0,1	0,3		
0401080	Mustard seeds	0,2	0,01 (*)		
0401090	Cotton seeds	0,05 (*)	1,5		
0401100	Pumpkin seeds	0,05 (*)	0,01 (*)		
0401110	Safflower seeds	0,05 (*)	0,01 (*)		
0401120	Borage seeds	0,05 (*)	0,01 (*)		
0401130	Gold of pleasure seeds	0,05 (*)	0,01 (*)		
0401140	Hemp seeds	0,05 (*)	0,01 (*)		
0401150	Castor beans	0,05 (*)	0,01 (*)		
0401990	Others (2)	0,05 (*)	0,01 (*)		
0402000	Oil fruits		0,01 (*)		
0402010	Olives for oil production	2			
0402020	Oil palms kernels	0,05 (*)			
0402030	Oil palms fruits	0,05 (*)			
0402040	Kapok	0,05 (*)			
0402990	Others (2)	0,05 (*)			
0500000	CEREALS			0,01 (*)	2 (*)
0500010	Barley	0,3	0,01 (*)		
0500020	Buckwheat and other pseudocereals	0,05 (*)	0,01 (*)		
0500030	Maize/corn	0,05 (*)	0,02		

(1)	(2)	(3)	(4)	(5)	(6)
0500040	Common millet/proso millet	0,05 (*)	0,01 (*)		
0500050	Oat	0,05 (*)	0,01 (*)		
0500060	Rice	3	0,2		
0500070	Rye	0,1	0,01 (*)		
0500080	Sorghum	0,05 (*)	0,01 (*)		
0500090	Wheat	0,1	0,01 (*)		
0500990	Others (2)	0,05 (*)	0,01 (*)		
0600000	TEAS, COFFEE, HERBAL INFUSIONS, COCOA AND CAROBS		0,02 (*)		
0610000	Teas	0,05 (*)		0,02 (*)	5 (*)
0620000	Coffee beans	0,05 (*)		0,02 (*)	5 (*)
0630000	Herbal infusions from	20			500
0631000	(a) <i>flowers</i>			0,02 (*)	
0631010	Chamomile				
0631020	Hibiscus/roselle				
0631030	Rose				
0631040	Jasmine				
0631050	Lime/linden				
0631990	Others (2)				
0632000	(b) <i>leaves and herbs</i>			0,02 (*)	
0632010	Strawberry				
0632020	Rooibos				
0632030	Mate/maté				
0632990	Others (2)				
0633000	(c) <i>roots</i>				
0633010	Valerian			7	
0633020	Ginseng			0,02 (*)	
0633990	Others (2)			0,02 (*)	
0639000	(d) <i>any other parts of the plant</i>			0,02 (*)	
0640000	Cocoa beans	0,05 (*)		0,02 (*)	2 (*)
0650000	Carobs/Saint John's breads	0,05 (*)		0,02 (*)	2 (*)
0700000	HOPS	0,05 (*)	0,02 (*)	0,7	1 500
0800000	SPICES				
0810000	Seed spices	0,3	0,02 (*)	0,02 (*)	400
0810010	Anise/aniseed				
0810020	Black caraway/black cumin				
0810030	Celery				
0810040	Coriander				
0810050	Cumin				

(1)	(2)	(3)	(4)	(5)	(6)
0810060	Dill				
0810070	Fennel				
0810080	Fenugreek				
0810090	Nutmeg				
0810990	Others (2)				
0820000	Fruit spices	0,3	0,02 (*)	0,02 (*)	400
0820010	Allspice/pimento				
0820020	Sichuan pepper				
0820030	Caraway				
0820040	Cardamom				
0820050	Juniper berry				
0820060	Peppercorn (black, green and white)				
0820070	Vanilla				
0820080	Tamarind				
0820990	Others (2)				
0830000	Bark spices	0,3	0,02 (*)	0,02 (*)	400
0830010	Cinnamon				
0830990	Others (2)				
0840000	Root and rhizome spices				
0840010	Liquorice	3	0,02 (*)	0,02 (*)	400
0840020	Ginger (10)	3	0,02 (*)	0,02 (*)	400
0840030	Turmeric/curcuma	3	0,02 (*)	0,02 (*)	400
0840040	Horseradish (11)	(+)	(+)	(+)	(+)
0840990	Others (2)	3	0,02 (*)	0,02 (*)	400
0850000	Bud spices	0,3	0,02 (*)	0,02 (*)	400
0850010	Cloves				
0850020	Capers				
0850990	Others (2)				
0860000	Flower pistil spices	0,3	0,02 (*)	0,02 (*)	400
0860010	Saffron				
0860990	Others (2)				
0870000	Aril spices	0,3	0,02 (*)	0,02 (*)	400
0870010	Mace				
0870990	Others (2)				
0900000	SUGAR PLANTS		0,01 (*)		
0900010	Sugar beet roots	0,2		0,15	2 (*)
0900020	Sugar canes	0,05 (*)		0,01 (*)	2 (*)
0900030	Chicory roots	0,6		0,01 (*)	75
0900990	Others (2)	0,05 (*)		0,01 (*)	2 (*)

(1)	(2)	(3)	(4)	(5)	(6)
1000000	PRODUCTS OF ANIMAL ORIGIN -TERRESTRIAL ANIMALS				
1010000	Commodities from			0,01 (*)	0,5 (*)
1011000	(a) <i>swine</i>				
1011010	Muscle	0,05	2		
1011020	Fat	0,05	2		
1011030	Liver	0,2	1		
1011040	Kidney	0,2	1		
1011050	Edible offals (other than liver and kidney)	0,2	1		
1011990	Others (2)	0,1	0,01 (*)		
1012000	(b) <i>bovine</i>				
1012010	Muscle	0,05	2		
1012020	Fat	0,05	2		
1012030	Liver	0,2	1		
1012040	Kidney	0,2	1		
1012050	Edible offals (other than liver and kidney)	0,2	1		
1012990	Others (2)	0,1	0,01 (*)		
1013000	(c) <i>sheep</i>				
1013010	Muscle	0,05	2		
1013020	Fat	0,05	2		
1013030	Liver	0,2	1		
1013040	Kidney	0,2	1		
1013050	Edible offals (other than liver and kidney)	0,2	1		
1013990	Others (2)	0,1	0,01 (*)		
1014000	(d) <i>goat</i>				
1014010	Muscle	0,05	2		
1014020	Fat	0,05	2		
1014030	Liver	0,2	1		
1014040	Kidney	0,2	1		
1014050	Edible offals (other than liver and kidney)	0,2	1		
1014990	Others (2)	0,1	0,01 (*)		
1015000	(e) <i>equine</i>				
1015010	Muscle	0,05	2		
1015020	Fat	0,05	2		
1015030	Liver	0,2	1		
1015040	Kidney	0,2	1		
1015050	Edible offals (other than liver and kidney)	0,2	1		
1015990	Others (2)	0,1	0,01 (*)		
1016000	(f) <i>poultry</i>	0,1	0,01 (*)		
1016010	Muscle				
1016020	Fat				

(1)	(2)	(3)	(4)	(5)	(6)
1016030	Liver				
1016040	Kidney				
1016050	Edible offals (other than liver and kidney)				
1016990	Others (2)				
1017000	(g) <i>other farmed terrestrial animals</i>				
1017010	Muscle	0,1	2		
1017020	Fat	0,1	2		
1017030	Liver	0,2	1		
1017040	Kidney	0,2	1		
1017050	Edible offals (other than liver and kidney)	0,2	1		
1017990	Others (2)	0,1	0,01 (*)		
1020000	Milk	0,005 (*)	0,1	0,02	0,1 (*)
1020010	Cattle				
1020020	Sheep				
1020030	Goat				
1020040	Horse				
1020990	Others (2)				
1030000	Birds eggs	0,05 (*)	0,01 (*)	0,01 (*)	0,1 (*)
1030010	Chicken				
1030020	Duck				
1030030	Geese				
1030040	Quail				
1030990	Others (2)				
1040000	Honey and other apiculture products (7)	0,05 (*)	0,05 (*)	0,05 (*)	0,5 (*)
1050000	Amphibians and Reptiles	0,05 (*)	0,01 (*)	0,01 (*)	0,5 (*)
1060000	Terrestrial invertebrate animals	0,05 (*)	0,01 (*)	0,01 (*)	0,5 (*)
1070000	Wild terrestrial vertebrate animals	0,05 (*)	0,01 (*)	0,01 (*)	0,5 (*)
1100000	PRODUCTS OF ANIMAL ORIGIN - FISH, FISH-PRODUCTS AND ANY OTHER MARINE AND FRESH-WATER FOOD PRODUCTS (8)				
1200000	PRODUCTS OR PART OF PRODUCTS EXCLUSIVELY USED FOR ANIMAL FEED PRODUCTION (8)				
1300000	PROCESSED FOOD PRODUCTS (9)				

(*) Limit of analytical determination

(e) For the complete list of products of plant and animal origin to which MRLs apply, reference should be made to Annex I.

Difenoconazole

(+) The applicable maximum residue level for horseradish (*Armoracia rusticana*) in the spice group (code 0840040) is the one set for horseradish (*Armoracia rusticana*) in the Vegetables category, root and tuber vegetables group (code 0213040) taking into account changes in the levels by processing (drying) according to Art. 20 (1) of Regulation (EC) No 396/2005.

0840040 Horseradish (11)

Flubendiamide (F)

- (+) The applicable maximum residue level for horseradish (*Armoracia rusticana*) in the spice group (code 0840040) is the one set for horseradish (*Armoracia rusticana*) in the Vegetables category, root and tuber vegetables group (code 0213040) taking into account changes in the levels by processing (drying) according to Art. 20 (1) of Regulation (EC) No 396/2005.

0840040 Horseradish (11)

Fluopicolide

- (+) The applicable maximum residue level for horseradish (*Armoracia rusticana*) in the spice group (code 0840040) is the one set for horseradish (*Armoracia rusticana*) in the Vegetables category, root and tuber vegetables group (code 0213040) taking into account changes in the levels by processing (drying) according to Art. 20 (1) of Regulation (EC) No 396/2005.

0840040 Horseradish (11)

Fosetyl-Al (sum of fosetyl, phosphonic acid and their salts, expressed as fosetyl)

- (+) The applicable maximum residue level for horseradish (*Armoracia rusticana*) in the spice group (code 0840040) is the one set for horseradish (*Armoracia rusticana*) in the Vegetables category, root and tuber vegetables group (code 0213040) taking into account changes in the levels by processing (drying) according to Art. 20 (1) of Regulation (EC) No 396/2005.

0840040 Horseradish (11)

- (3) In Annex V, the column for propargite is deleted.
-

DECISIONS

COUNCIL DECISION (CFSP) 2018/833

of 4 June 2018

amending Decision 2010/413/CFSP concerning restrictive measures against Iran

THE COUNCIL OF THE EUROPEAN UNION,

Having regard to the Treaty on European Union, and in particular Article 29 thereof,

Having regard to Council Decision 2010/413/CFSP of 26 July 2010 concerning restrictive measures against Iran and repealing Common Position 2007/140/CFSP ⁽¹⁾, and in particular Article 23(2) thereof,

Having regard to the proposal of the High Representative of the Union for Foreign Affairs and Security Policy,

Whereas:

- (1) On 26 July 2010 the Council adopted Decision 2010/413/CFSP.
- (2) In accordance with Article 26(3) of Decision 2010/413/CFSP, the Council has reviewed the list of designated persons and entities set out in Annex II to that Decision.
- (3) The Council has concluded that the entries concerning certain persons and entities included in Annex II to Decision 2010/413/CFSP should be updated.
- (4) Decision 2010/413/CFSP should therefore be amended accordingly,

HAS ADOPTED THIS DECISION:

Article 1

Annex II to Decision 2010/413/CFSP is amended as set out in the Annex to this Decision.

Article 2

This Decision shall enter into force on the day following that of its publication in the *Official Journal of the European Union*.

Done at Luxembourg, 4 June 2018.

For the Council

The President

T. TSACHEVA

⁽¹⁾ OJ L 195, 27.7.2010, p. 39.

ANNEX

Annex II to Decision 2010/413/CFSP is amended as follows:

- (1) under the heading 'I. Persons and entities involved in nuclear or ballistic missile activities and persons and entities providing support to the Government of Iran.', the following entries replace the corresponding entries in the list set out under the subheading 'B. Entities':

	Name	Identifying information	Reasons	Date of listing
'42.(g)	Shetab Gaman (a.k.a. Taamin Gostaran Pishgaman Azar)	Address: Norouzi Alley, No 2, Larestan Street, Motahari Avenue, Tehran	Acting on behalf of Yasa Part.	26.7.2010
49.	Noavaran Pooyamoj (a.k.a. Noavaran Tejarat Paya, Bastan Tejarat Mabna, Behdis Tejarat (or Bazarganis Behdis Tejarat Alborz Company or Behdis Tejarat General Trading Company), Fanavaran Mojpooya, Faramoj Company (or Tosee Danesh Fanavari Faramoj), Green Emirate Paya, Mehbang Sana, Mohandesi Hedayat Control Paya, Pooya Wave Company, Towsee Fanavari Boshra)		Involved in procurement of materials that are controlled and have direct application in the manufacture of centrifuges for Iran's uranium enrichment programme.	23.5.2011
55.	Ashtian Tablo	Ashtian Tablo - No 67, Ghods mirheydari St, Yoosefabad, Tehran	Involved in the production and supply of specialist electrical equipment and materials that have a direct application in the Iranian nuclear sector.	23.5.2011'

- (2) under the heading 'II. Islamic Revolutionary Guard Corps (IRGC)', the following entries replace the corresponding entries in the list set out under the subheading 'A. Persons':

	Name	Identifying information	Reasons	Date of listing
'1.	IRGC Brigadier-General Javad DARVISH-VAND		Former MODAFL Deputy for Inspection, responsible for all MODAFL facilities and installations, who remains associated with, including through the provision of services to, MODAFL and the IRGC.	23.6.2008
8.	IRGC Brigadier-General Mohammad Reza NAQDI	Born in 1953, Nadjaf (Iraq)	Deputy Commander of IRGC for Cultural and Social Affairs. Former Commander of Basij Resistance Force.	26.7.2010
10.	Rostam QASEMI (a.k.a. Rostam GHASEMI)	Born in 1961	Former Commander of Khatam al-Anbiya.	26.7.2010
19.	IRGC Brigadier-General Amir Ali Haji ZADEH (a.k.a. Amir Ali HAJIZADEH)		IRGC Aerospace Force Commander.	23.1.2012'

COMMISSION IMPLEMENTING DECISION (EU) 2018/834**of 4 June 2018****amending Implementing Decision 2014/709/EU concerning animal health control measures relating to African swine fever in certain Member States***(notified under document C(2018) 3318)***(Text with EEA relevance)**

THE EUROPEAN COMMISSION,

Having regard to the Treaty on the Functioning of the European Union,

Having regard to Council Directive 89/662/EEC of 11 December 1989 concerning veterinary checks in intra-Community trade with a view to the completion of the internal market ⁽¹⁾, and in particular Article 9(4) thereof,

Having regard to Council Directive 90/425/EEC of 26 June 1990 concerning veterinary and zootechnical checks applicable in intra-Community trade in certain live animals and products with a view to the completion of the internal market ⁽²⁾, and in particular Article 10(4) thereof,

Having regard to Council Directive 2002/99/EC of 16 December 2002 laying down the animal health rules governing the production, processing, distribution and introduction of products of animal origin for human consumption ⁽³⁾, and in particular Article 4(3) thereof,

Whereas:

- (1) Commission Implementing Decision 2014/709/EU ⁽⁴⁾ lays down animal health control measures in relation to African swine fever in certain Member States, where there have been confirmed cases of that disease in domestic or feral pigs (the Member States concerned). The Annex to that Implementing Decision demarcates and lists certain areas of the Member States concerned in Parts I to IV thereof, differentiated by the level of risk based on the epidemiological situation as regards that disease.
- (2) The risk of the spread of African swine fever in wildlife is linked to the natural slow spread of that disease among feral pig populations, and also the risks linked to human activity, as demonstrated by the recent epidemiological evolution of that disease in the Union, and as documented by the European Food Safety Authority (EFSA) in the Scientific Opinion of the Panel on Animal Health and Welfare, published on 14 July 2015; in the Scientific Report of the EFSA on 'Epidemiological analyses on African swine fever in the Baltic countries and Poland', published on 23 March 2017; and in the Scientific Report of the EFSA on Epidemiological analyses of African swine fever in the Baltic States and Poland, published on 7 November 2017 ⁽⁵⁾.
- (3) The movement of infected animals represents a high risk for the spread of African swine fever. In particular, it is extremely important to avoid the diffusion of African swine fever related to the movement of feral pigs given that they are at high risk of transmitting African swine fever and can have negative impact on pig farming within the Union. Given the risk represented by these animals in spreading the disease, combined with any potential delay in detecting the occurrence of African swine fever in feral pigs in newly affected Member States, specific precautionary measures should be taken to limit the movement of these animals across the Union. In order to prevent the further spread of African swine fever, all Member States should prohibit the dispatch of feral pigs to other Member States and to third countries, and the Member State concerned should prohibit the dispatch of feral pigs from the areas listed in the Annex to Implementing Decision 2014/709/EU to other areas of their territory which are not listed therein.
- (4) The Annex to Implementing Decision 2014/709/EU has been amended several times to take account of changes in the epidemiological situation in the Union as regards African swine fever that needed to be reflected in that Annex.

⁽¹⁾ OJ L 395, 30.12.1989, p. 13.

⁽²⁾ OJ L 224, 18.8.1990, p. 29.

⁽³⁾ OJ L 18, 23.1.2003, p. 11.

⁽⁴⁾ Commission Implementing Decision 2014/709/EU of 9 October 2014 concerning animal health control measures relating to African swine fever in certain Member States and repealing Implementing Decision 2014/178/EU (OJ L 295, 11.10.2014, p. 63).

⁽⁵⁾ EFSA Journal 2015;13(7):4163 [92 pp.]; EFSA Journal 2017;15(3):4732 [73 pp.]; and EFSA Journal 2017;15(11): 5068 [30 pp.].

- (5) The Commission, for a sufficient period of time, has not been notified of any outbreak of African swine fever in domestic pigs in all areas of Estonia, Latvia and Lithuania which are currently listed in Part III of the Annex to Implementing Decision 2014/709/EU. In addition, the Union measures for the control of African swine fever laid down in Council Directive 2002/60/EC ⁽¹⁾ have been implemented and additional biosecurity measures on domestic pig holdings have been applied. These facts indicate an improvement in the epidemiological situation of the disease in domestic pigs in all areas of Estonia, Latvia and Lithuania that are currently listed in Part III of the Annex to Implementing Decision 2014/709/EU. Accordingly, those areas should now be listed in Part II, instead of Part III, of that Annex, and it should be amended accordingly.
- (6) The Commission, for a sufficient period of time, has not been notified of any outbreak of African swine fever in domestic pigs time in certain areas (which do not include gmina Goniądz w powiecie monieckim, gminy Mielnik, Nurzec-Stacja w powiecie siemiatyckim and gminy Korczew i Paprotnia w powiecie siedleckim) of Poland which are currently listed in Part III of the Annex to Implementing Decision 2014/709/EU. In addition, the Union measures for the control of African swine fever laid down in Directive 2002/60/EC have been implemented. These facts indicate an improvement in the epidemiological situation of the disease in domestic pigs in certain areas of Poland that are currently listed in Part III of the Annex to Implementing Decision 2014/709/EU. Accordingly, those areas should now be listed in Part II, instead of Part III, of that Annex, and it should be amended accordingly.
- (7) In April and May 2018, a number of cases of African swine fever in wild boar were observed in the south-eastern part of Poland in areas listed in Part I of the Annex to Implementing Decision 2014/709/EU and in areas listed in Part II of that Annex. These cases constitute an increased level of risk that should be reflected in that Annex.
- (8) In addition, in April 2018, a number of cases of African swine fever in feral pigs were observed in the county of Heves in Hungary. Commission Implementing Decisions (EU) 2018/663 ⁽²⁾ was adopted in response to those cases. Implementing Decision (EU) 2018/663 applies until 30 June 2018. These cases constitute an increased level of risk which should be reflected in the Annex to Implementing Decision 2014/709/EU.
- (9) In order to take account of recent developments in the epidemiological evolution of African swine fever in the Union, and in order to combat the risks associated with the spread of that disease in a proactive manner, new high risk areas of a sufficient size should be demarcated for Poland and Hungary and included in the lists in Parts I and II of the Annex to Implementing Decision 2014/709/EU. That Annex should therefore be amended accordingly.
- (10) The measures provided for in this Decision are in accordance with the opinion of the Standing Committee on Plants, Animals, Food and Feed,

HAS ADOPTED THIS DECISION:

Article 1

Implementing Decision 2014/709/EU is amended as follows:

- (1) In Article 1, the first paragraph is replaced by the following:

‘This Decision lays down animal health control measures in relation to African swine fever in the Member States or areas thereof as set out in the Annex (the Member States concerned), and in all Member States as regards movements of feral pigs and information obligations.’

- (2) Article 15 is amended as follows:

- (i) paragraph 1 is replaced by the following:

‘1. The Member States concerned shall:

- (a) prohibit the dispatch of live feral pigs from the areas listed in the Annex to other areas in the territory of the same Member State which are not listed;
- (b) ensure that no consignments of fresh meat of feral pigs, meat preparations and meat products consisting of or containing such meat from the areas listed in the Annex are dispatched to other Member States or to other areas in the territory of the same Member State.’;

⁽¹⁾ Council Directive 2002/60/EC of 27 June 2002 laying down specific provisions for the control of African swine fever and amending Directive 92/119/EEC as regards Teschen disease and African swine fever (OJ L 192, 20.7.2002, p. 27).

⁽²⁾ Commission Implementing Decision (EU) 2018/663 of 27 April 2018 concerning certain interim protective measures relating to African swine fever in Hungary (OJ L 110, 30.4.2018, p. 136).

(ii) paragraph 3 is replaced by the following:

‘3. All Member States shall prohibit the dispatch of live feral pigs to other Member States and to third countries.’;

(iii) paragraph 4 is deleted;

(3) The Annex to Implementing Decision 2014/709/EU is replaced by the text set out in the Annex to this Decision.

Article 2

This Decision is addressed to the Member States.

Done at Brussels, 4 June 2018.

For the Commission
Vytenis ANDRIUKAITIS
Member of the Commission

ANNEX

The Annex to Implementing Decision 2014/709/EU is replaced by the following:

‘ANNEX

PART I

1. The Czech Republic

The following areas in the Czech Republic:

- okres Uherské Hradiště,
- okres Kroměříž,
- okres Vsetín,
- katastrální území obcí v okrese Zlín:
 - Bělov,
 - Biskupice u Luhačovic,
 - Bohuslavice nad Vláří,
 - Brumov,
 - Bylnice,
 - Divnice,
 - Dobrkovice,
 - Dolní Lhota u Luhačovic,
 - Drnovice u Valašských Klobouk,
 - Halenkovice,
 - Haluzice,
 - Hrádek na Vlárské dráze,
 - Hřivínův Újezd,
 - Jestřabí nad Vláří,
 - Kaňovice u Luhačovic,
 - Kelníky,
 - Kladná-Žilín,
 - Kochavec,
 - Komárov u Napajedel,
 - Křekov,
 - Lipina,
 - Lipová u Slavičína,
 - Ludkovice,
 - Luhačovice,
 - Machová,
 - Mirošov u Valašských Klobouk,
 - Mysločovice,
 - Napajedla,
 - Návojná,
 - Nedašov,
 - Nedašova Lhota,
 - Nevšová,
 - Otrokovice,
 - Petrůvka u Slavičína,
 - Pohořelice u Napajedel,
 - Polichno,

- Popov nad Vláří,
- Poteč,
- Pozlovice,
- Rokytnice u Slavičína,
- Rudimov,
- Řetečov,
- Sazovice,
- Sidonie,
- Slavičín,
- Smolina,
- Sptyihněv,
- Svatý Štěpán,
- Šanov,
- Šarovy,
- Štítná nad Vláří,
- Tichov,
- Tlumačov na Moravě,
- Valašské Klobouky,
- Velký Ořechov,
- Vlachova Lhota,
- Vlachovice,
- Vrbětice,
- Žlutava.

2. Estonia

The following areas in Estonia:

- Hiiu maakond.

3. Hungary

The following areas in Hungary:

- Borsod-Abaúj-Zemplén megye 650100, 650200, 650300, 650400, 650500, 650600, 650700, 650800, 651000, 651100, 651200, 652100, 652200, 652300, 652400, 652500, 652601, 652602, 652603, 652700, 652800, 652900 és 653403 kódszámú vadgazdálkodási egységeinek teljes területe,
- Heves megye 700150, 700250, 700260, 700350, 700450, 700460, 700550, 700650, 700750, 700850, 702350, 702450, 702550, 702750, 702850, 703350, 703360, 703450, 703550, 703610, 703750, 703850, 703950, 704050, 704150, 704250, 704350, 704450, 704550, 704650, 704750, 704850, 704950, 705050, 705250, 705350, 705510 és 705610 kódszámú vadgazdálkodási egységeinek teljes területe,
- Jász-Nagykun-Szolnok megye 750150, 750160, 750250, 750260, 750350, 750450, 750460, 750550, 750650, 750750, 750850, 750950 és 750960 kódszámú vadgazdálkodási egységeinek teljes területe,
- Nógrád megye 550110, 550120, 550130, 550210, 550310, 550320, 550450, 550460, 550510, 550610, 550710, 550810, 550950, 551010, 551150, 551160, 551250, 551350, 551360, 551450, 551460, 551550, 551650, 551710, 551810, 551821, 552010, 552150, 552250, 552350, 552360, 552450, 552460, 552520, 552550, 552610, 552620, 552710, 552850, 552860, 552950, 552960, 552970, 553110, 553250, 553260 és 553350 kódszámú vadgazdálkodási egységeinek teljes területe,
- Pest megye 571250, 571350, 571550, 571610, 571750, 571760, 572350, 572550, 572850, 572950, 573360 és 573450 kódszámú vadgazdálkodási egységeinek teljes területe.

4. Latvia

The following areas in Latvia:

- Aizputes novads,
- Alsungas novads,
- Kuldīgas novada Gudenieku, Turlavas un Laidu pagasts,
- Pāvilostas novada Sakas pagasts un Pāvilostas pilsēta,
- Saldus novada Ezeres, Kursīšu, Pampāļu, un Zaņas pagasts,

- Skrundas novada, Nīkrāces un Rudbāržu pagasts un Skrundas pagasta daļa, kas atrodas uz dienvidiem no autoceļa A9, Skrundas pilsēta,
- Stopiņu novada daļa, kas atrodas uz rietumiem no autoceļa V36, P4 un P5, Acones ielas, Daugulupes ielas un Daugulupītes,
- Ventspils novada Jūrkalnes pagasts.

5. Lithuania

The following areas in Lithuania:

- Akmenės rajono savivaldybė: Papilės seniūnija,
- Jurbarko rajono savivaldybė: Eržvilko, Smalininkų ir Viešvilės seniūnijos,
- Kazlų Rūdos savivaldybė,
- Kelmės rajono savivaldybė,
- Mažeikių rajono savivaldybė: Sedos, Šerkšnėnų ir Židikų seniūnijos,
- Pagėgių savivaldybė,
- Raseinių rajono savivaldybė: Girkalnio ir Kalnūjų seniūnijos dalis į šiaurę nuo kelio Nr A1, Nemakščių, Paliepių, Raseinių, Raseinių miesto ir Viduklės seniūnijos,
- Šakių rajono savivaldybė,
- Tauragės rajono savivaldybė,
- Telšių rajono savivaldybė.

6. Poland

The following areas in Poland:

w województwie warmińsko-mazurskim:

- gmina Stare Juchy w powiecie ełckim,
- gmina Dubeninki w powiecie gołdapskim,
- gmina Ruciane – Nida i część gminy Pisz położona na południe od linii wyznaczonej przez drogę nr 58 oraz miasto Pisz w powiecie piskim,
- gminy Giżycko z miastem Giżycko, Kruklanki, Miłki, Wydminy i Ryn w powiecie giżyckim,
- gmina Mikołajki w powiecie mrągowskim,
- gminy Kowale Oleckie, Olecko, Świętajno i część gminy Wieliczki położona na północ od linii wyznaczonej przez drogę nr 655 w powiecie oleckim,
- gminy Bisztynek i Sępól w powiecie bartoszyckim,
- gmina Korsze w powiecie kętrzyńskim,
- gminy Lidzbark Warmiński z miastem Lidzbark Warmiński, Lubomino, Orneta i Kiwity w powiecie lidzbarskim,
- część gminy Wilczęta położona na południe od linii wyznaczonej przez drogę nr 509 w powiecie braniewskim,
- gminy Godkowo, Milejewo, Młynary, Pasłęk i Tolkmicko w powiecie elbląskim,
- powiat miejski Elbląg.

w województwie podlaskim:

- gmina Brańsk z miastem Brańsk, gminy Rudka, Wyszki, część gminy Bielsk Podlaski położona na zachód od linii wyznaczonej przez drogę nr 19 (biegnącą w kierunku północnym od granicy miasta Bielsk Podlaski) oraz na północ do drogi nr 66 (biegnącej w kierunku zachodnim od granicy miasta Bielsk Podlaski) i miasto Bielsk Podlaski w powiecie bielskim,
- gmina Perlejewo w powiecie siemiatyckim,
- gminy Kolno z miastem Kolno, Mały Płock i Turośl w powiecie kolneńskim,
- gminy Juchnowiec Kościelny, Suraz i Poświętne w powiecie białostockim,
- gminy Kołaki Kościelne, Rutki, Szumowo, część gminy Zambrów położona na południe od linii wyznaczonej przez drogę nr 58 i miasto Zambrów w powiecie zambrowskim,
- gminy Bakałarzewo, Wiżajny, Przerośl, Filipów, część gminy Raczki położona na północ od linii wyznaczonej przez drogę 655 i część gminy Suwałki położona na zachód od linii wyznaczonej przez drogę nr 655 w powiecie suwalskim,
- gminy Kulesze Kościelne, Nowe Piekuty, Szepietowo, Klukowo, Ciechanowiec, Wysokie Mazowieckie z miastem Wysokie Mazowieckie, Czyżew w powiecie wysokomazowieckim,
- gminy Miastkowo, Nowogród i Zbójna w powiecie łomżyńskim.

w województwie mazowieckim:

- gminy Ceranów, Kosów Lacki, Sabnie, Sterdyń, część gminy Bielany położona na zachód od linii wyznaczonej przez drogę nr 63 i część gminy wiejskiej Sokołów Podlaski położona na zachód od linii wyznaczonej przez drogę nr 63 w powiecie sokołowskim,
- gminy Grębków, Liw, Miedzna, Wierzbno i miasto Węgrów w powiecie węgrowskim,
- gmina Kotuń w powiecie siedleckim,
- gminy Rzekuń, Troszyn, Lelis, Czerwin i Goworowo w powiecie ostrołęckim,
- powiat miejski Ostrołęka,
- powiat ostrowski,
- gminy Mała Wieś i Wyszogród w powiecie plockim,
- gminy Ojrzeń i Sońsk w powiecie ciechanowskim,
- gminy Czerwińsk nad Wisłą, Naruszewo, Płońsk z miastem Płońsk, Sochocin, Załuski i część gminy Nowe Miasto położona na północ od linii wyznaczonej przez drogę nr 620 w powiecie płońskim,
- gminy Obryte, Winnica, Świercze, Zatory i Pułtusk z miastem Pułtusk w powiecie pułtuskim,
- gminy Wyszaków, Zabrodzie, część gminy Somianka położona na północ od linii wyznaczonej przez drogę nr 62 i część gminy Rzańnik położona na południe od drogi łączącej miejscowości Rzańnik i Sieczychy w powiecie wyszkowskim,
- gminy, Klembów, Poświętne i Tłuszcz w powiecie wołomińskim,
- gminy Mińsk Mazowiecki z miastem Mińsk Mazowiecki, Mrozy, Cegłów, Dębe Wielkie, Halinów, Kałuszyn, Siennica i Stanisławów w powiecie mińskim,
- gminy Garwolin z miastem Garwolin, Górzno, Miastków Kościelny, Parysów, Pilawa i Wilga w powiecie garwolińskim,
- gmina Tarczyn w powiecie piaseczyńskim,
- gminy Grójec, Jasieniec, Pniewy i Warka w powiecie grójeckim,
- gminy Grabów nad Pilicą i Magnuszew w powiecie kozienickim,
- gminy Brwinów, Michałowice, Nadarzyn, Piastów i, Pruszków w powiecie pruszkowskim,
- gminy Baranów, Grodzisk Mazowiecki, Milanówek, Podkowa Leśna i Żabia Wola w powiecie grodziskim,
- gminy Iłów, Młodzieszyn, Nowa Sucha, Rybno, Sochaczew z miastem Sochaczew i Teresin w powiecie sochaczewskim.

w województwie lubelskim:

- gminy Łączna, Milejów, Spiczyn część gminy Ludwin położona na zachód od linii wyznaczonej przez drogę łączącą miejscowości Puchaczów i Dratów, a następnie przez drogę nr 820 do północnej granicy gminy, część gminy Cyców położona na południe od linii wyznaczonej przez drogę nr 841 do miejscowości Wólka Cycowska, a następnie od miejscowości Wólka Cycowska przez drogę 82 do wschodniej granicy gminy i część gminy Puchaczów położona na południe od linii wyznaczonej przez drogę 82 do miejscowości Stara Wieś, a następnie na zachód od linii wyznaczonej przez drogę łączącą miejscowości Stara Wieś, Puchaczów i Dratów w powiecie łęczyńskim,
- gmina Borki w powiecie radzyńskim,
- gmina Adamów, Krzywda, Serokomla, Wojcieszków i Wola Mysłowska w powiecie łukowskim,
- gminy Krańciszyn i Siennica Różana w powiecie krasnostawskim,
- gminy Siedliszcze, Rejowiec, Rejowiec Fabryczny z miastem Rejowiec Fabryczny, część gminy Białopole położona na wschód od linii wyznaczonej przez drogę nr 844 i część gminy wiejskiej Chełm położona na południe od linii wyznaczonej przez drogę nr 812 biegnącą od zachodniej granicy tej gminy do granicy powiatu miejskiego Chełm, a następnie południową granicę powiatu miejskiego Chełm do wschodniej granicy gminy w powiecie chełmskim,
- gmina Grabowiec w powiecie zamojskim,
- gminy Horodło, Trzeszczany i część gminy wiejskiej Hrubieszów położona na północ od linii wyznaczonej przez drogę nr 74 w powiecie hrubieszowskim,
- gminy Firlej, Kock, Kamionka, Michów, Lubartów z miastem Lubartów, Serniki, Ostrów Lubelski w powiecie lubartowskim.

PART II

1. The Czech Republic

The following areas in the Czech Republic:

— katastrální území obcí v okrese Zlín:

- Bohuslavice u Zlína,
- Bratřejov u Vizovic,
- Březnice u Zlína,
- Březová u Zlína,
- Březůvky,
- Dešná u Zlína,
- Dolní Ves,
- Doubravy,
- Držková,
- Fryšták,
- Horní Lhota u Luhačovic,
- Horní Ves u Fryštáku,
- Hostišová,
- Hrobice na Moravě,
- Hvozdná,
- Chrastěšov,
- Jaroslavice u Zlína,
- Jasenná na Moravě,
- Karlovice u Zlína,
- Kašava,
- Klečůvka,
- Kostelec u Zlína,
- Kudlov,
- Kvítkovice u Otrokovic,
- Lhota u Zlína,
- Lhotka u Zlína,
- Lhotsko,
- Lípa nad Dřevnicí,
- Loučka I,
- Loučka II,
- Louky nad Dřevnicí,
- Lukov u Zlína,
- Lukoveček,
- Lutonina,
- Lužkovice,
- Malenovice u Zlína,
- Mladcová,
- Neubuz,
- Oldřichovice u Napajedel,
- Ostrata,
- Podhradí u Luhačovic,
- Podkopná Lhota,
- Provodov na Moravě,
- Prštné,

- Příluky u Zlína,
- Racková,
- Raková,
- Salaš u Zlína,
- Sehradice,
- Slopné,
- Slušovice,
- Štípa,
- Tečovice,
- Trnava u Zlína,
- Ublo,
- Újezd u Valašských Klobouk,
- Velíková,
- Veselá u Zlína,
- Vítová,
- Vizovice,
- Vlčková,
- Všemina,
- Vysoké Pole,
- Zádveřice,
- Zlín,
- Želechovice nad Dřevnicí.

2. Estonia

The following areas in Estonia:

- Eesti Vabariik (välja arvatud Hiiu maakond)

3. Hungary

The following areas in Hungary:

- Heves megye 700860, 700950, 701050, 701111, 701150, 701250, 701350, 701550, 701560, 701650, 701750, 701850, 701950, 702050, 702150, 702250, 702260, 702950, 703050, 703150, 703250, 703370, 705150 és 705450 kódszámú vadgazdálkodási egységeinek teljes területe.

4. Latvia

The following areas in Latvia:

- Ādažu novads,
- Aglonas novads,
- Aizkraukles novads,
- Aknīstes novads,
- Alojas novads,
- Alūksnes novads,
- Amatas novads,
- Apes novads,
- Auces novads,
- Babītes novads,
- Baldones novads,
- Baltašas novads,
- Balvu novads,
- Bauskas novads,
- Beverīnas novads,
- Brocēnu novads,

- Burtnieku novads,
- Carnikavas novads,
- Cēsu novads,
- Cēsvaines novads,
- Ciblas novads,
- Dagdas novads,
- Daugavpils novads,
- Dobeles novads,
- Dundagas novads,
- Engures novads,
- Ērgļu novads,
- Garkalnes novads,
- Gulbenes novads,
- Iecavas novads,
- Ikšķiles novads,
- Ilūkstes novads,
- Inčukalna novads,
- Jaunjelgavas novads,
- Jaunpiebalgas novads,
- Jaunpils novads,
- Jēkabpils novads,
- Jelgavas novads,
- Kandavas novads,
- Kārsavas novads,
- Ķeguma novads,
- Ķekavas novads,
- Kocēnu novads,
- Kokneses novads,
- Krāslavas novads,
- Krimuldas novads,
- Krustpils novads,
- Kuldīgas novada Ēdoles, Īvandes, Kurmāles, Padures, Pelču, Rumbas, Rendas, Kabiles, Snēpeles un Vārmes pagasts, Kuldīgas pilsēta,
- Lielvārdes novads,
- Līgatnes novads,
- Limbažu novads,
- Līvānu novads,
- Lubānas novads,
- Ludzas novads,
- Madonas novads,
- Mālpils novads,
- Mārupes novads,
- Mazsalacas novads,
- Mērsraga novads,
- Naukšēnu novads,
- Neretas novads,
- Ogres novads,
- Olaines novads,
- Ozolnieku novads,

- Pārgaujas novads,
- Pļaviņu novads,
- Preiļu novads,
- Priekuļu novads,
- Raunas novads,
- republikas pilsēta Daugavpils,
- republikas pilsēta Jelgava,
- republikas pilsēta Jēkabpils,
- republikas pilsēta Jūrmala,
- republikas pilsēta Rēzekne,
- republikas pilsēta Valmiera,
- Rēzeknes novads,
- Riebiņu novads,
- Rojas novads,
- Ropažu novads,
- Rugāju novads,
- Rundāles novads,
- Rūjienas novads,
- Salacgrīvas novads,
- Salas novads,
- Salaspils novads,
- Saldus novada Jaunlutriņu, Lutriņu, Šķēdes, Novadnieku, Saldus, Jaunauces, Rubas, Vadakstes, Zvārdes un Zirņu pagasts un Saldus pilsēta,
- Saulkrastu novads,
- Sējas novads,
- Siguldas novads,
- Skrīveru novads,
- Skrundas novada Raņķu pagasts un Skrundas pagasta daļa, kas atrodas uz Ziemeļiem no autoceļa A9
- Smiltenes novads,
- Stopiņu novada daļa, kas atrodas uz austrumiem no autoceļa V36, P4 un P5, Acones ielas, Dauguļupes ielas un Dauguļupītes,
- Strenču novads,
- Talsu novads,
- Tērvetes novads,
- Tukuma novads,
- Valkas novads,
- Varakļānu novads,
- Vārkavas novads,
- Vecpiebalgas novads,
- Vecumnieku novads,
- Ventspils novada Ances, Tārgales, Popes, Vārves, Užavas, Piltenes, Puzes, Ziru, Ugāles, Usmas un Zlēku pagasts, Piltenes pilsēta,
- Viesītes novads,
- Viļakas novads,
- Viļānu novads,
- Zilupes novads.

5. Lithuania

The following areas in Lithuania:

- Akmenės rajono savivaldybė: Akmenės, Naujosios Akmenės kaimiškoji, Kruopių, Naujosios Akmenės miesto ir Ventos seniūnijos,
- Alytaus miesto savivaldybė,
- Alytaus rajono savivaldybė,
- Anykščių rajono savivaldybė,
- Birštono savivaldybė,
- Biržų miesto savivaldybė,
- Biržų rajono savivaldybė,
- Druskininkų savivaldybė,
- Elektrėnų savivaldybė,
- Ignalinos rajono savivaldybė,
- Jonavos rajono savivaldybė,
- Joniškio rajono savivaldybė
- Jurbarko rajono savivaldybė: Girdžių, Jurbarko miesto, Jurbarkų, Juodaičių, Raudonės, Seredžiaus, Veliuonos, Skirsnemunės ir Šimkaičių seniūnijos,
- Kaišiadorių miesto savivaldybė,
- Kaišiadorių rajono savivaldybė,
- Kalvarijos savivaldybė,
- Kauno miesto savivaldybė,
- Kauno rajono savivaldybės,
- Kėdainių rajono,
- Kupiškio rajono savivaldybė,
- Lazdijų rajono savivaldybė,
- Marijampolės savivaldybė,
- Mažeikių rajono savivaldybės: Laižuvos, Mažeikių apylinkės, Mažeikių, Reivyčių, Tirkšlių ir Viekšnių seniūnijos,
- Molėtų rajono savivaldybė,
- Pakruojo rajono savivaldybė,
- Panevėžio rajono savivaldybė,
- Pasvalio rajono savivaldybė,
- Radviliškio rajono savivaldybė,
- Raseinių rajono savivaldybė: Ariogalos, Betygalos, Pagojukų ir Šiluvos seniūnijos ir Kalnųjų ir Girkalnio seniūnijų dalisį pietus nuo kelio Nr. A1,
- Prienų miesto savivaldybė,
- Prienų rajono savivaldybė,
- Rokiškio rajono savivaldybė,
- Šalčininkų rajono savivaldybė,
- Šiaulių miesto savivaldybė,
- Šiaulių rajono savivaldybė,
- Širvintų rajono savivaldybė,
- Švenčionių rajono savivaldybė,
- Trakų rajono savivaldybė,

- Ukmergės rajono savivaldybė,
- Utenos rajono savivaldybė,
- Varėnos rajono savivaldybė,
- Vilniaus miesto savivaldybė,
- Vilniaus rajono savivaldybė,
- Vilkaviškio rajono savivaldybė,
- Visagino savivaldybė,
- Zarasų rajono savivaldybė.

6. Poland

The following areas in Poland:

w województwie warmińsko-mazurskim:

- gminy Kalinowo, Prostki i gmina wiejska Elk w powiecie elckim,
- część gminy Wieliczki położona na południe od linii wyznaczonej przez drogę nr 655 w powiecie oleckim,
- gmina Orzysz, Biała Piska i część gminy Pisz położona na północ od linii wyznaczonej przez drogę nr 58 w powiecie piskim,
- gminy Górowo Iławeckie z miastem Górowo Iławeckie, Bartoszyce z miastem Bartoszyce w powiecie bartoszyckim,
- gminy Braniewo z miastem Braniewo, Lelkowo, Pieniężno, Frombork, Płoskinia i część gminy Wilczęta położona na północ od linii wyznaczonej przez drogę 509 w powiecie braniewskim.

w województwie podlaskim:

- powiat grajewski,
- gminy Jasionówka, Jaświły, Knyszyn, Krypno, Mońki i Trzcianne w powiecie monieckim,
- gmina Łomża, Piątnica, Śniadowo, Jedwabne, Przytuły i Wizna w powiecie łomżyńskim,
- powiat miejski Łomża,
- gminy Grodzisk, Drohiczyn, Dziadkowice, Milejczyce i Siemiatycze z miastem Siemiatycze w powiecie siemiatyckim,
- powiat hajnowski,
- gmina Kobylin-Borzymy i Sokoły w powiecie wysokomazowieckim,
- część gminy Zambrów położona na północ od linii wyznaczonej przez drogę nr S8 w powiecie zambrowskim,
- gminy Grabowo i Stawiski w powiecie kolneńskim,
- gminy Czarna Białostocka, Dobrzyniewo Duże, Gródek, Łapy, Michałowo, Supraśl, Turośń Kościelna, Tykocin, Wasilków, Zabłudów, Zawady i Choroszcz w powiecie białostockim,
- część gminy Bielsk Podlaski położona na wschód od linii wyznaczonej przez drogę nr 19 biegnącą w kierunku północnym od granicy miasta Bielsk Podlaski i przedłużonej przez wschodnią granicę miasta Bielsk Podlaski i na południe od linii wyznaczonej drogę nr 66 biegnącą w kierunku zachodnim od granicy miasta Bielsk Podlaski i przedłużonej przez granicę miasta Bielsk Podlaski, gminy Orla i Boćki w powiecie bielskim,
- powiat sejneński,
- gminy Jeleniewo, Rutka-Tartak, Szypliszki część gminy Raczki położona na południe od linii wyznaczonej przez drogę 655 i część gminy Suwałki położona na wschód od linii wyznaczonej przez drogę nr 655 w powiecie suwalskim,
- powiat miejski Suwałki,
- powiat augustowski,
- powiat sokólski,
- powiat miejski Białystok.

w województwie mazowieckim:

- gmina Przesmyki, Domanice, Skórzec, Siedlce, Suchożebry, Mokobody, Mordy, Wiśniew, Wodynie i Zbuczyn w powiecie siedleckim,
- gmina Repki, Jabłonna Lacka, część gminy Bielany położona na wschód od linii wyznaczonej przez drogę nr 63 i część gminy wiejskiej Sokołów Podlaski położona na wschód od linii wyznaczonej przez drogę nr 63 w powiecie sokołowskim,
- powiat łosicki,
- gmina Brochów w powiecie sochaczewskim,
- powiat nowodworski,
- gmina Joniec i część gminy Nowe Miasto położona na południe od linii wyznaczonej przez drogę nr 620 w powiecie płońskim,
- gmina Pokrzywnica w powiecie pułuskim,
- gminy Dąbrówka, Kobyłka, Marki, Radzymin, Wołomin, Zielonka i Ząbki w powiecie wołomińskim,
- część gminy Somianka położona na południe od linii wyznaczonej przez drogę nr 62 w powiecie wyszkowskim,
- gminy Latowicz i Sulejówek w powiecie mińskim,
- gmina Borowie w powiecie garwolińskim,
- powiat warszawski zachodni,
- powiat legionowski,
- powiat otwocki,
- gminy Konstancin – Jeziorna, Lesznowola, Piaseczno, Prażmów i Góra Kalwaria w powiecie piaseczyńskim,
- gmina Raszyn w powiecie pruszkowskim,
- gmina Chynów w powiecie grójeckim,
- powiat miejski Siedlce,
- powiat miejski Warszawa.

w województwie lubelskim:

- gminy Wołyn, Ulan-Majorat, Czemierniki, Komarówka Podlaska, Kąkolewnica i Radzyń Podlaski z miastem Radzyń Podlaski w powiecie radzyńskim,
- gmina wiejska Łuków z miastem Łuków, Stanin, Stoczek Łukowski z miastem Stoczek Łukowski i Trzebieszów w powiecie łukowskim,
- gminy Stary Brus Urszulin, Hanna, Hańsk, Wola Uhruska, Wiryki i gmina wiejska Włodawa w powiecie włodawskim,
- gminy Rossosz, Wisznice, Sławatycze, Sosnówka, Tucznia, Łomazy, Kodeń, Konstantynów, Piszczac, Rokitno, Biała Podlaska, Zalesie, Terespol z miastem Terespol, Drelów, Międzyrzec Podlaski z miastem Międzyrzec Podlaski w powiecie białskim,
- powiat miejski Biała Podlaska,
- powiat parczewski,
- gminy Niedźwiada i Ostrówek i Uścimów w powiecie lubartowskim,
- część gminy Ludwin położona na wschód od linii wyznaczonej przez drogę łączącą miejscowości Puchaczów i Dratów, a następnie przez drogę nr 820 do północnej granicy gminy, część gminy Cyców położona na północ od linii wyznaczonej przez drogę nr 841 do miejscowości Wólka Cycowska, a następnie od miejscowości Wólka Cycowska przez drogę 82 do wschodniej granicy gminy i część gminy Puchaczów położona na północ od linii wyznaczonej przez drogę 82 do miejscowości Stara Wieś, a następnie na wschód od linii wyznaczonej przez drogę łączącą miejscowości Stara Wieś, Puchaczów i Dratów w powiecie łęczyńskim,
- gmina Uchanie w powiecie hrubieszowskim,
- gminy Dorohusk, Dubienka, Kamień, Leśniowice, Ruda Huta, Sawin, Wierzbica, Wojsławice, Żmudź część gminy Białopole położona na zachód od linii wyznaczonej przez drogę nr 844 i część gminy wiejskiej Chełm położona na północ od linii wyznaczonej przez drogę nr 812 biegnącą od zachodniej granicy tej gminy do granicy powiatu miejskiego Chełm, a następnie północną granicę powiatu miejskiego Chełm do wschodniej granicy gminy w powiecie chełmskim.
- powiat miejski Chełm.

PART III

Poland

The following areas in Poland:

w województwie podlaskim:

- gmina Goniądz w powiecie monieckim
- gminy Mielnik, Nurzec-Stacja w powiecie siemiatyckim.

w województwie mazowieckim:

- gminy Korczew i Paprotnia w powiecie siedleckim.

w województwie lubelskim:

- gminy Janów Podlaski i Leśna Podlaska, w powiecie bialskim,

PART IV

Italy

The following areas in Italy:

- tutto il territorio della Sardegna.'
-

COMMISSION IMPLEMENTING DECISION (EU) 2018/835
of 4 June 2018
concerning certain protective measures relating to African swine fever in Hungary

(notified under document C(2018) 3319)

(Only the Hungarian text is authentic)

(Text with EEA relevance)

THE EUROPEAN COMMISSION,

Having regard to the Treaty on the Functioning of the European Union,

Having regard to Council Directive 89/662/EEC of 11 December 1989 concerning veterinary checks in intra-Community trade with a view to the completion of the internal market ⁽¹⁾, and in particular Article 9(4) thereof,

Having regard to Council Directive 90/425/EEC of 26 June 1990 concerning veterinary and zootechnical checks applicable in intra-Community trade in certain live animals and products with a view to the completion of the internal market ⁽²⁾, and in particular Article 10(4) thereof,

Whereas:

- (1) African swine fever is an infectious viral disease affecting domestic and feral pig populations and can have a severe impact on the profitability of pig farming causing disturbance to trade within the Union and exports to third countries.
- (2) In the event of a case of African swine fever in feral pigs, there is a risk that the disease agent may spread to other feral pig populations and to pig holdings. As a result, it may spread from one Member State to another Member State and to third countries through trade in live pigs or their products.
- (3) Council Directive 2002/60/EC ⁽³⁾ lays down minimum measures to be applied within the Union for the control of African swine fever. In particular, Article 15 of Directive 2002/60/EC provides for certain measures to be taken following the confirmation of one or more cases of African swine fever in feral pigs.
- (4) Hungary has informed the Commission of the up-to-date African swine fever situation on its territory, and in accordance with Article 15 of Directive 2002/60/EC, it has established an infected area where the measures referred to in Article 15 of that Directive are applied.
- (5) Commission Implementing Decision (EU) 2018/663 ⁽⁴⁾ was adopted in response to this situation.
- (6) In order to prevent any unnecessary disturbance to trade within the Union and to avoid unjustified barriers to trade being imposed by third countries, it is necessary to identify at Union level the infected area for African swine fever in Hungary in collaboration with that Member State.
- (7) Accordingly, the infected area in Hungary should be listed in the Annex to this Decision and the duration of that regionalisation fixed. This Decision should repeal and replace Implementing Decision (EU) 2018/663.
- (8) The measures provided for in this Decision are in accordance with the opinion of the Standing Committee on Plants, Animals, Food and Feed,

HAS ADOPTED THIS DECISION:

Article 1

Hungary shall ensure that the infected area established by Hungary, where the measures provided for in Article 15 of Directive 2002/60/EC apply, comprises at least the areas listed in the Annex to this Decision.

⁽¹⁾ OJ L 395, 30.12.1989, p. 13.

⁽²⁾ OJ L 224, 18.8.1990, p. 29.

⁽³⁾ Council Directive 2002/60/EC of 27 June 2002 laying down specific provisions for the control of African swine fever and amending Directive 92/119/EEC as regards Teschen disease and African swine fever (OJ L 192, 20.7.2002, p. 27).

⁽⁴⁾ Commission Implementing Decision (EU) 2018/663 of 27 April 2018 concerning certain interim protective measures relating to African swine fever in Hungary (OJ L 110, 30.4.2018, p. 136).

Article 2

Implementing Decision (EU) 2018/663 is repealed.

Article 3

This Decision shall apply until 30 June 2018.

Article 4

This Decision is addressed to Hungary.

Done at Brussels, 4 June 2018.

For the Commission
Vytenis ANDRIUKAITIS
Member of the Commission

ANNEX

Areas established as Infected Area in Hungary as referred to in Article 1	Date until applicable
Territory of the county of Heves located north of the motorway E 71	30 June 2018

ACTS ADOPTED BY BODIES CREATED BY INTERNATIONAL AGREEMENTS

DECISION No 1/2018 OF THE EU-GEORGIA CUSTOMS SUB-COMMITTEE

of 20 March 2018

replacing Protocol I to the Association Agreement between the European Union and the European Atomic Energy Community and their Member States, of the one part, and Georgia of the other part, concerning the definition of the concept of 'originating products' and methods of administrative cooperation [2018/836]

THE EU-GEORGIA CUSTOMS SUB-COMMITTEE,

Having regard to the Association Agreement between the European Union and the European Atomic Energy Community and their Member States, of the one part, and Georgia, of the other part ⁽¹⁾, and in particular Article 23(2) thereof,

Having regard to Protocol I to the Association Agreement between the European Union and the European Atomic Energy Community and their Member States, of the one part, and Georgia, of the other part, concerning the definition of the concept of 'originating products' and methods of administrative cooperation,

Whereas:

- (1) Article 23(2) of the Association Agreement between the European Union and the European Atomic Energy Community and their Member States, of the one part, and Georgia, of the other part ('the Agreement'), refers to Protocol I to the Agreement ('Protocol I') for the rules of origin.
- (2) The Agreement entered into force on 1 July 2016.
- (3) Article 38 of Protocol I provides that the Customs Sub-Committee provided for in Article 74(1) of the Agreement may decide to amend the provisions of Protocol I.
- (4) The Regional Convention on pan-Euro-Mediterranean preferential rules of origin ⁽²⁾ ('the Convention') aims to replace the protocols on rules of origin currently in force among the countries of the pan-Euro-Mediterranean area with a single legal act.
- (5) The Union signed the Convention on 15 June 2011. By its Decision No 1/2016 ⁽³⁾, the Joint Committee established by Article 3(1) of the Convention decided that Georgia should be invited to accede to the Convention.
- (6) The Union and Georgia deposited their instruments of acceptance with the depositary of the Convention on 26 March 2012 and 17 May 2017 respectively. Consequently, in application of Article 10(3) of the Convention, the Convention entered into force in relation to the Union and to Georgia on 1 May 2012 and on 1 July 2017 respectively.
- (7) Protocol I should therefore be replaced by a new protocol making reference to the Convention,

HAS ADOPTED THIS DECISION:

Article 1

Protocol I to the Association Agreement between the European Union and the European Atomic Energy Community and their Member States, of the one part, and Georgia, of the other part, concerning the definition of the concept of 'originating products' and methods of administrative cooperation shall be replaced by the text set out in the Annex to this Decision.

⁽¹⁾ OJ L 261, 30.8.2014, p. 4.

⁽²⁾ OJ L 54, 26.2.2013, p. 4.

⁽³⁾ Decision No 1/2016 of the Joint Committee of the Regional Convention on Pan-Euro-Mediterranean Preferential Rules of Origin of 28 September 2016 as regards the request of Georgia to become a Contracting Party to the Regional Convention on pan-Euro-Mediterranean preferential rules of origin (OJ L 329, 3.12.2016, p. 118).

Article 2

This Decision shall enter into force on the date of its adoption.

It shall apply from 1 June 2018.

Done at Brussels, 20 March 2018.

*For the Customs Sub-Committee**The Chairman*

S. URIDIA

Secretaries

D. WENCEL

M. KHVEDELIDZE

ANNEX

PROTOCOL I**concerning the definition of the concept of “originating products” and methods of administrative cooperation***Article 1***Applicable rules of origin**

1. For the purpose of implementing this Agreement, Appendix I and the relevant provisions of Appendix II to the Regional Convention on pan-Euro-Mediterranean preferential rules of origin ⁽¹⁾ (“the Convention”) shall apply.
2. All references to the “relevant agreement” in Appendix I and in the relevant provisions of Appendix II to the Convention shall be construed so as to mean this Agreement.

*Article 2***Dispute settlement**

1. Where disputes arise in relation to the verification procedures of Article 32 of Appendix I to the Convention that cannot be settled between the customs authorities requesting the verification and the customs authorities responsible for carrying out that verification, they shall be submitted to the Customs Sub-Committee. The provisions on the dispute settlement mechanism in Chapter 14 (Dispute Settlement) of Title IV (Trade and Trade-related Matters) of this Agreement shall not apply.
2. In all cases the settlement of disputes between the importer and the customs authorities of the importing country shall take place under the legislation of that country.

*Article 3***Amendments to the Protocol**

The Customs Sub-Committee may decide to amend the provisions of this Protocol.

*Article 4***Withdrawal from the Convention**

1. Should either the European Union or Georgia give notice in writing to the depositary of the Convention of their intention to withdraw from the Convention according to Article 9 thereof, the Union and Georgia shall immediately enter into negotiations on rules of origin for the purpose of implementing this Agreement.
2. Until the entry into force of such newly negotiated rules of origin, the rules of origin contained in Appendix I and, where appropriate, the relevant provisions of Appendix II to the Convention, applicable at the moment of withdrawal, shall continue to apply to this Agreement. However, as of the moment of withdrawal, the rules of origin contained in Appendix I and, where appropriate, the relevant provisions of Appendix II to the Convention shall be construed so as to allow bilateral cumulation between the Union and Georgia only.

*Article 5***Transitional provisions – cumulation**

Notwithstanding Articles 16(5) and 21(3) of Appendix I to the Convention, where cumulation involves only EFTA States, the Faroe Islands, the Union, Turkey, the participants in the Stabilisation and Association Process, the Republic of Moldova and Georgia, the proof of origin may be a movement certificate EUR.1 or an origin declaration.’

⁽¹⁾ OJ L 54, 26.2.2013, p. 4.

ISSN 1977-0677 (electronic edition)
ISSN 1725-2555 (paper edition)



Publications Office of the European Union
2985 Luxembourg
LUXEMBOURG

EN